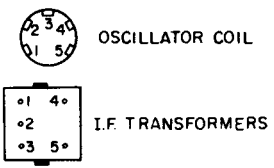


DIAL STRINGING

BOTTOM VIEWS



MOUNTING VIEW OF GANG

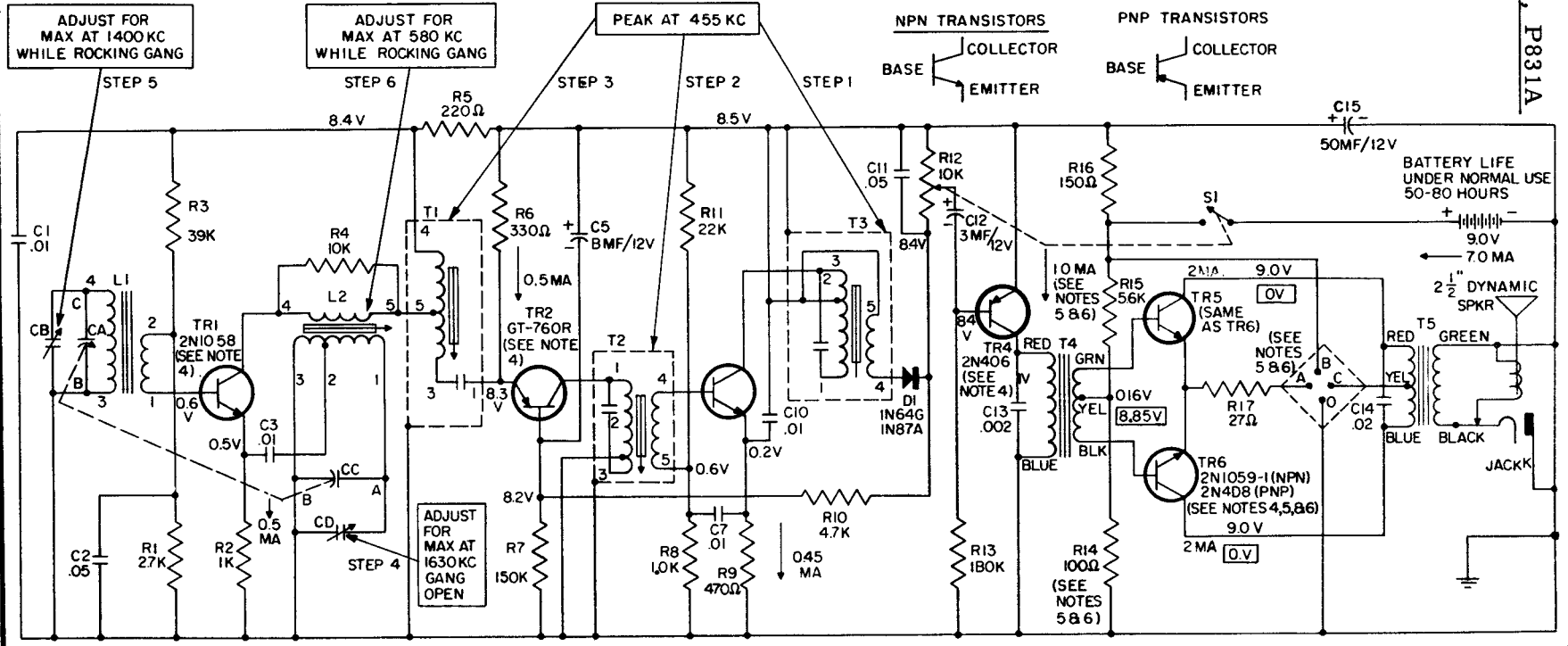


ALIGNMENT

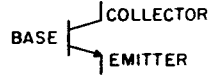
SET VOLUME CONTROL AT MAXIMUM.
CONNECT OUTPUT METER OR SCOPE ACROSS VOICE COIL.
INDUCTIVELY COUPLE SIGNAL GENERATOR TO RECEIVER.

NOTES:

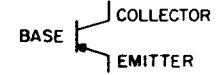
- 1 UNLESS OTHERWISE NOTED-CAPACITORS MORE THAN 1=MMF CAPACITORS LESS THAN 1=MF RESISTORS ARE 1/2 WATT K=1000
- 2 VOLTAGE AND CURRENT READINGS ARE AVERAGE UNDER NO SIGNAL CONDITIONS VOLTAGES ARE POSITIVE WITH RESPECT TO GROUND
- 3 VOLTAGES SHOWN IN ARE FOR PNP TRANSISTORS IN TR5 AND TR6
- 4 REPLACE WITH TRANSISTOR TYPES SHOWN,
- 5 FOR NPN TR5 AND TR6
A. CONNECT R17 ("A" SIDE) TO POINT "C"
B. CONNECT YELLOW LEAD FROM T5 TO POINT "B"
C. R14 MUST BE 100 OHMS
D. R15 MUST BE 5.6K
- 6 FOR PNP TR5 AND TR6
A. CONNECT R17 ("A" SIDE) TO POINT "B"
B. CONNECT YELLOW LEAD FROM T5 TO POINT "C"
C. R14 MUST BE 5.6K
D. R15 MUST BE 100 OHMS



NPN TRANSISTORS



PNP TRANSISTORS



BATTERY LIFE UNDER NORMAL USE 50-80 HOURS
9.0V
7.0 MA
2 1/2" DYNAMIC SPKR