

UNLESS OTHERWISE DENOTED:

CAPACITORS MORE THAN 1+MMF

CAPACITORS LESS THAN 1+MMF

RESISTORS: K=1,000

-M=1,000,000

DC VOLTAGE AT 117 V LINE TO

B-W/20,000Ω/VOLT METER

ARROWS INDICATE CLOCKWISE

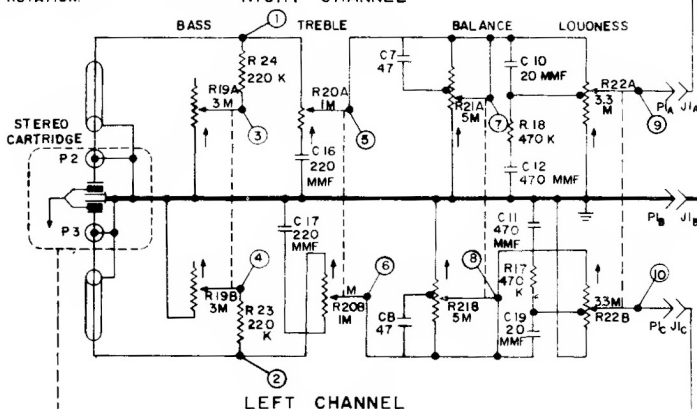
ROTATION.

○ CIRCLES INDICATE TEST POINTS

⑪ SCOPE SYNCED AT (1/2) ONE-HALF
THE VERTICAL FREQUENCY.

⑫ RIPPLE VOLTAGE NOT MEASURABLE
WITH STANDARD SERVICING EQUIPMENT.

RIGHT CHANNEL



TO REMOVE RECORD CHANGER

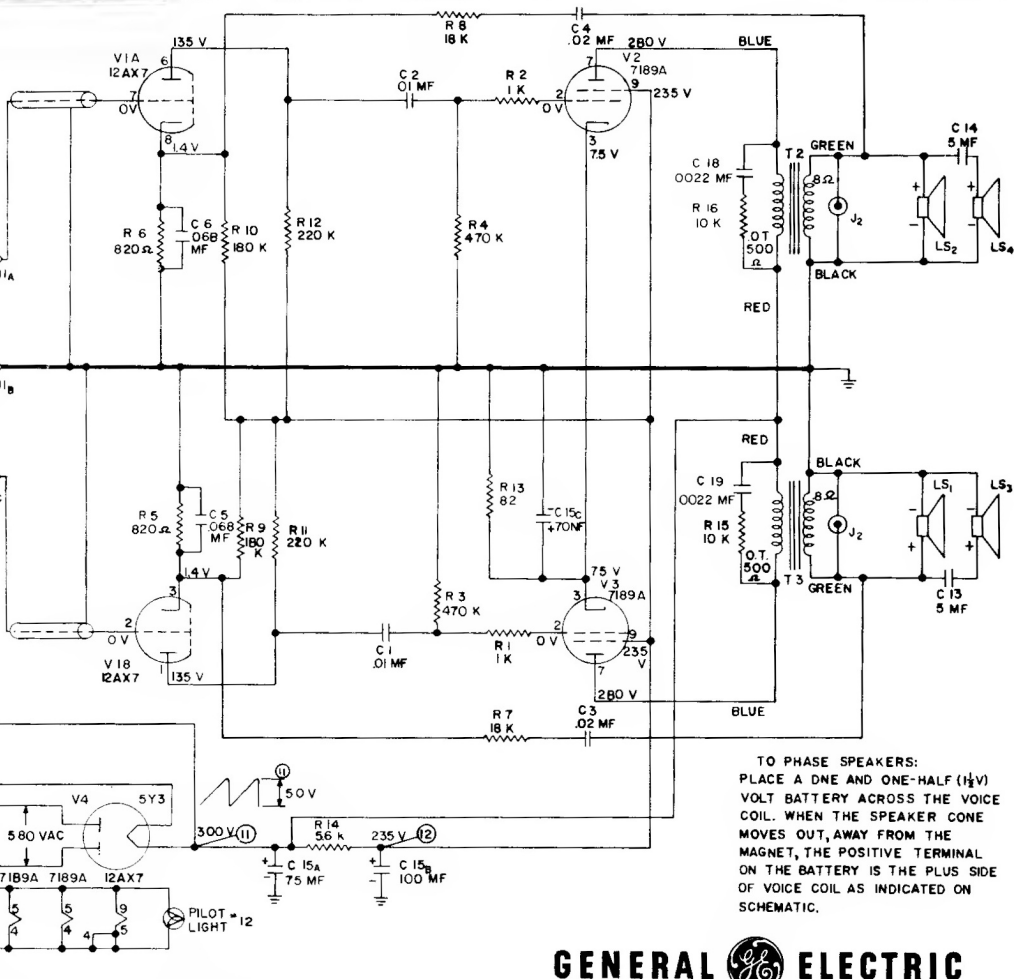
1. Remove the screws holding the back cover to the cabinet and remove the back cover.
2. Remove (pull down) the plastic power plug (AC2) and signal plugs from the changer.
3. Flip the two shipping screw clips on the changer to a vertical position.
4. Remove the changer.

TO REMOVE CONTROL CHASSIS

1. Remove the knobs.
2. Follow step one as described in "To Remove Record Changer."
3. Remove the signal plugs from the changer and remove the lead dresser clamp holding the plugs.

TO REMOVE SPEAKERS

1. Follow step one as described in "To Remove Record Changer."
2. Unsolder and label all leads on the speakers to assure proper phasing of the speakers when reassembling.
3. Remove the 5/16 inch nuts holding the speaker and crossover capacitors.

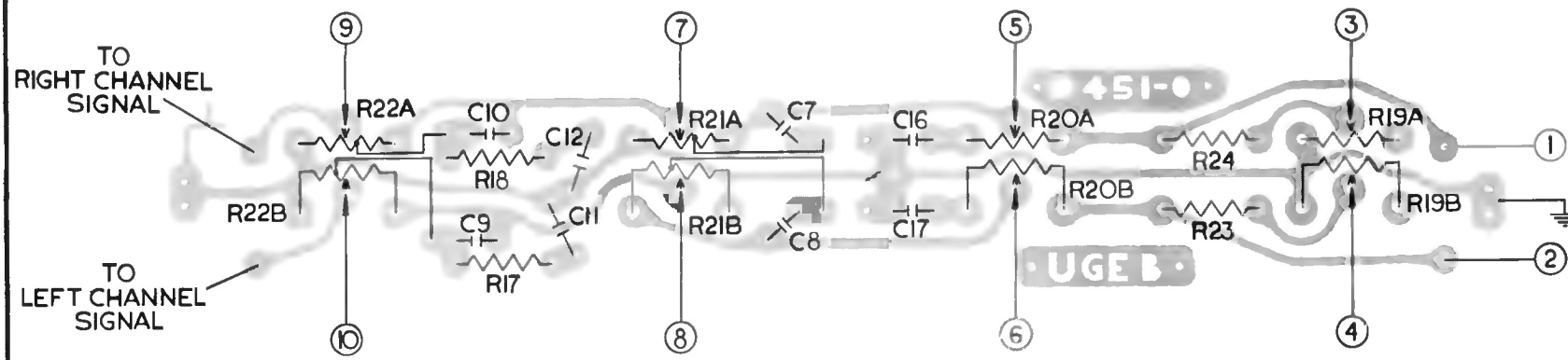
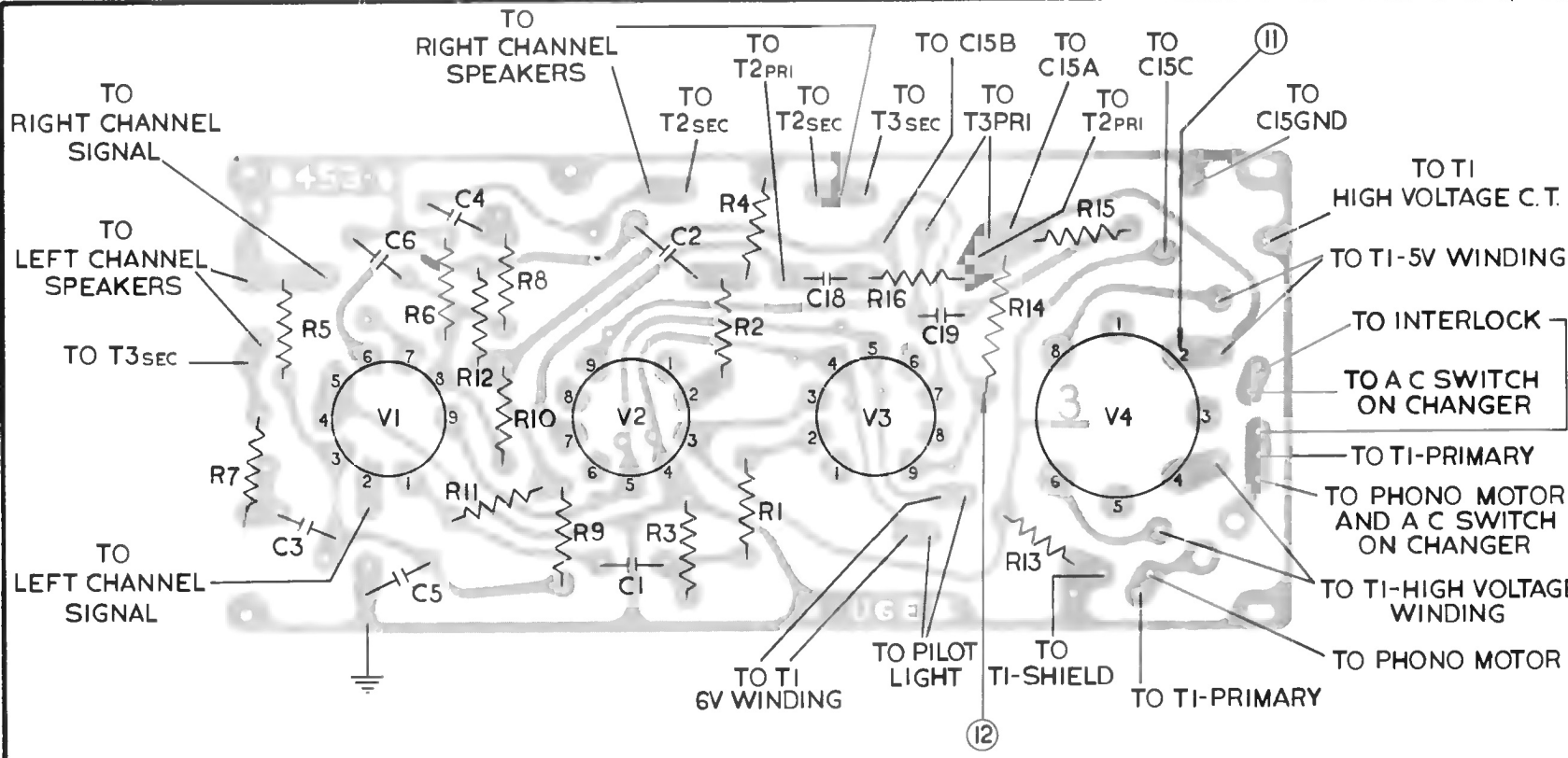


TO PHASE SPEAKERS:
PLACE A ONE AND ONE-HALF (1½V)
VOLT BATTERY ACROSS THE VOICE
COIL. WHEN THE SPEAKER CONE
MOVES OUT, AWAY FROM THE
MAGNET, THE POSITIVE TERMINAL
ON THE BATTERY IS THE PLUS SIDE
OF VOICE COIL AS INDICATED ON
SCHEMATIC.

GENERAL ELECTRIC

Exact circuit diagram for Models
RC1200, RC1201, RC1202, RC1203.
Additional Models RP1155A, -C,
RP1170, RC1210, RC1211, RC-1212,
RC-1213, RP1590A, are almost the
same electrically and use identical
wiring boards illustrated on the
next page adjacent at right.

GENERAL ELECTRIC Boards for Models RP1155A, -C, RP1170, RC1200, RC-1201, RC-1202, RC1203, RC1210, RC1211, RC1212, RC1213, RP1590A



GENERAL ELECTRIC Wiring Boards for Models RP1155A, -C, RP1170, RC1200, RC-1201, RC-1202, RC1203, RC1210, RC1211, RC1212, RC1213, RP1590A