

- NOTES**
- UNLESS OTHERWISE NOTED CAPACITORS MORE THAN 1 = MMF CAPACITORS LESS THAN 1 = MF RESISTORS ARE 1/2 WATT, K = 1000
  - VOLTAGES ARE POSITIVE WITH RESPECT TO GROUND UNDER NO SIGNAL CONDITIONS AND VOLUME CONTROL MINIMUM
  - SEE TRANSISTOR SUBSTITUTION CHART
  - KHz = KC

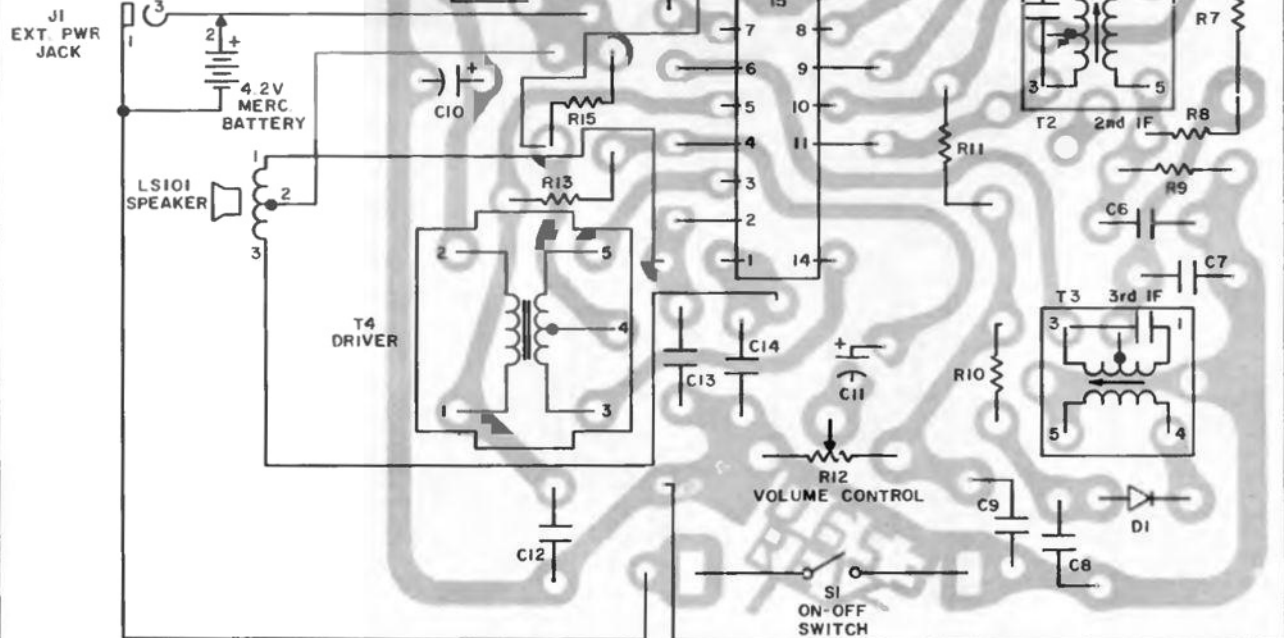
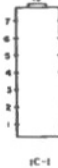
- ALIGNMENT**
- SET VOLUME CONTROL AT MAX. CONNECT OUTPUT METER OR SCOPE ACROSS SPEAKER INDUCTIVELY COUPLE SIGNAL GENERATOR TO RECEIVER
  - ADJUST T1, T2 AND T3 FOR MAX 455KHz SIGNAL
  - ADJUST C10 FOR MAX 1630KHz WITH GANG OPEN
  - ADJUST C1C FOR MAX 1400KHz WHILE ROCKING GANG
  - ADJUST L2 FOR MAX 580KHz WHILE ROCKING GANG
  - REPEAT STEPS 3, 4 AND 5 FOR MAX SENSITIVITY

**BOTTOM VIEW OF COMPONENTS**

**TRANSISTORS**



**TRANSFORMERS**



WIRING DIAGRAM (BOTTOM VIEW)