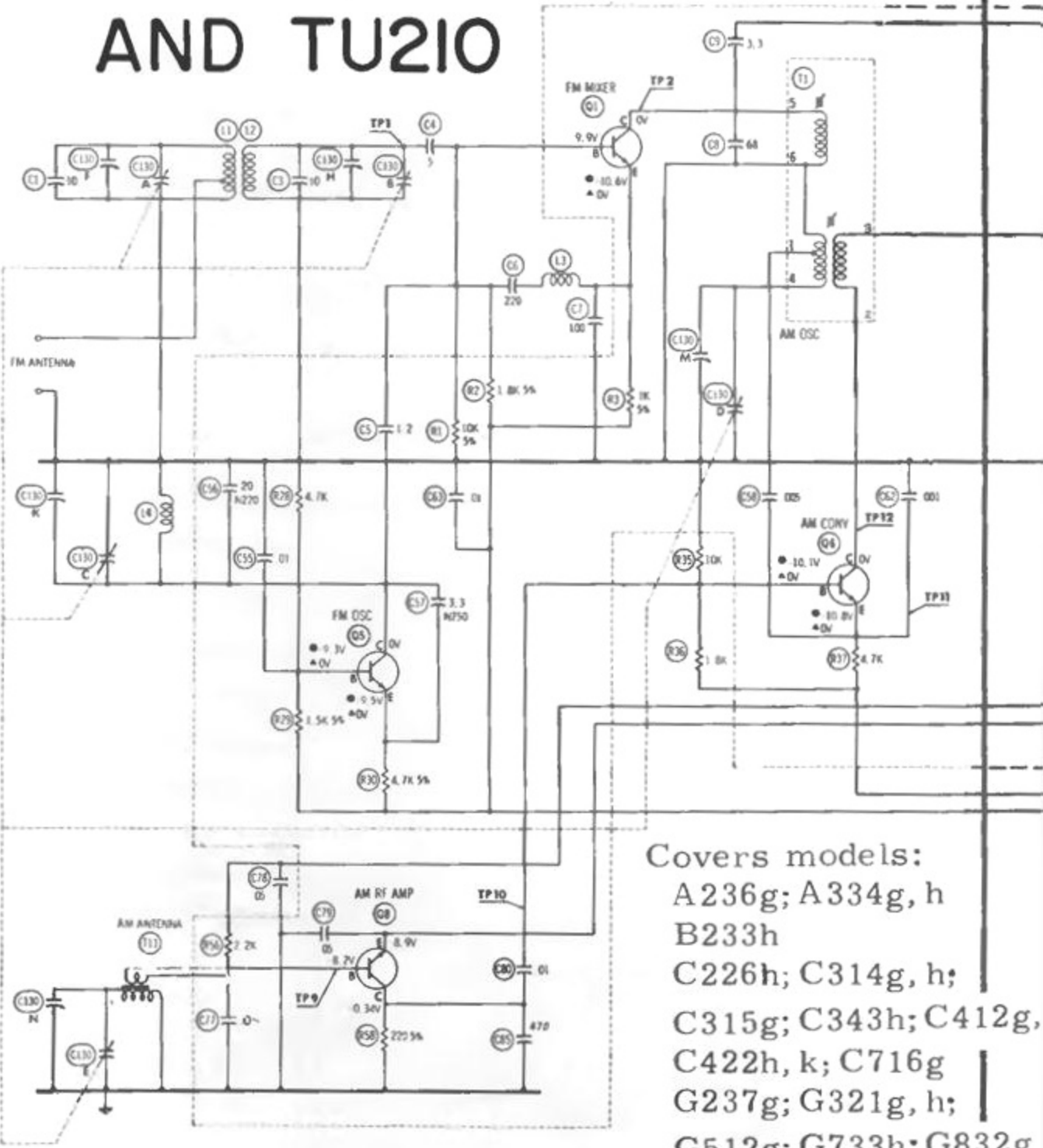


GENERAL ELECTRIC TU200, TU205 AND TU210

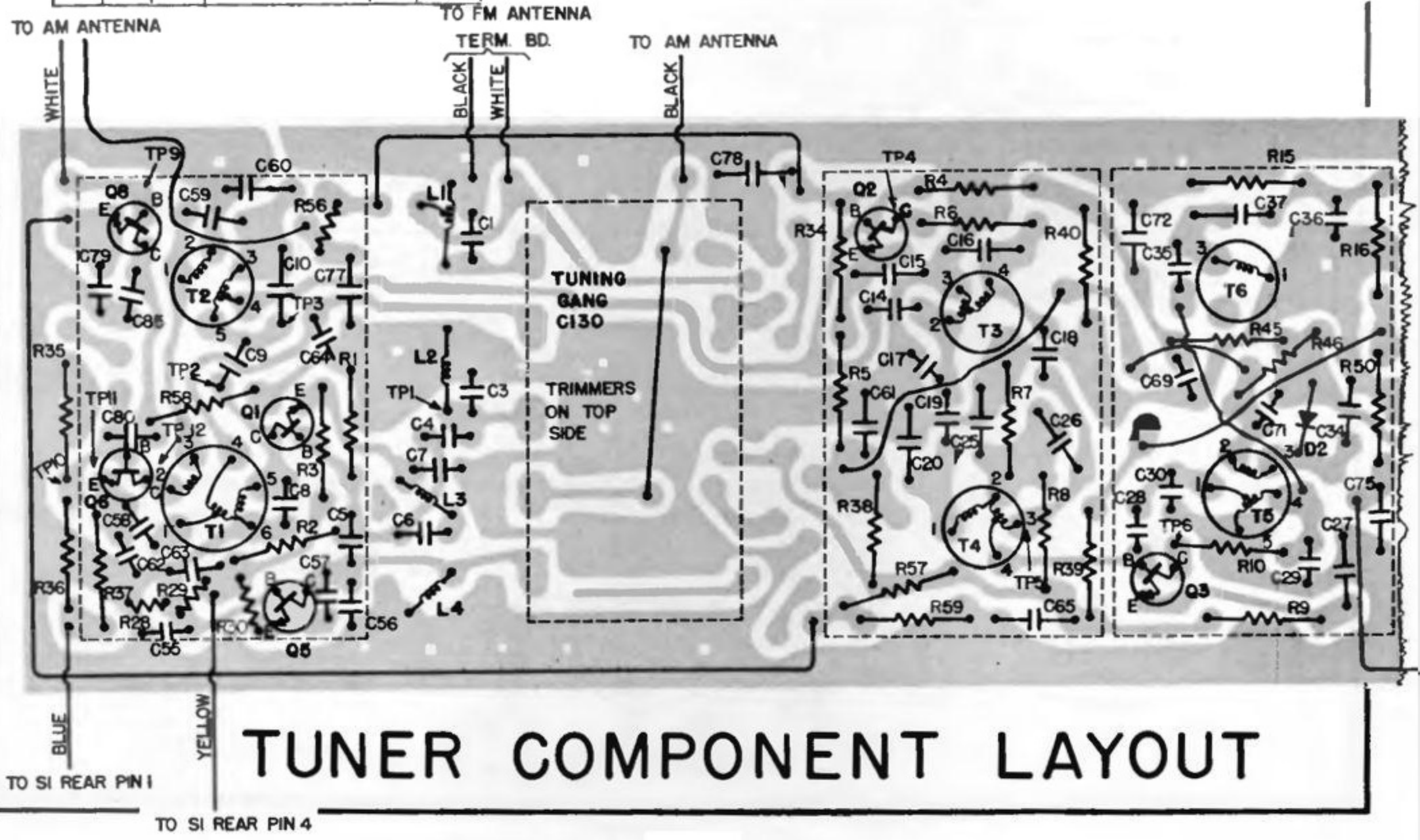
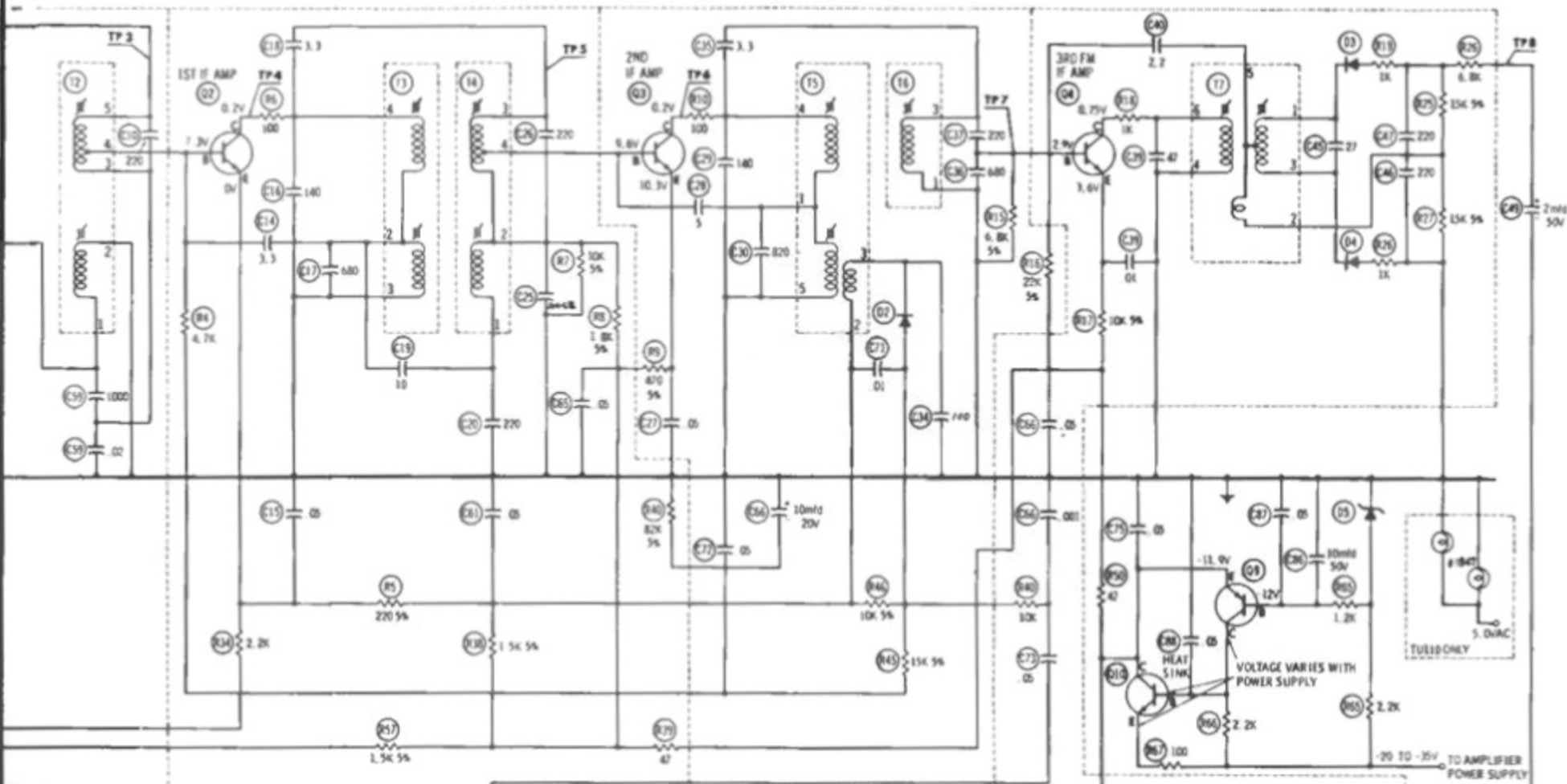
SPECIFICATIONS

SENSITIVITY:	DESCRIPTION:
AM - 250 uv/m	FM Mixer
FM - 7 uv Antenna Voltage for 30db quieting	1st FM IF, 1st AM IF
	2nd FM IF, 2nd AM IF
	3rd FM IF
	FM Oscillator
	AM Converter
	AM RF Amplifier
	Voltage Regulator
	Stereo Indicator Amp.
	38 KC Doubler
	19 KC Pilot Amplifier
	Composite Stereo Amp.
	SYMBOL
	Q1
	Q2
	Q3
	Q4
	Q5
	Q6
	Q8
	Q9,10
	Q11
	Q12
	Q13
	Q14
TRANSISTOR COMPLIMENT:	
-22 Volts to -35 Volts @ 50ma	FM STEREO SEPARATION: 25db Minimum @ 1 KC
AM - 530 KC to 1630 KC	FM STEREO FREQUENCY: 50 cps to 15 KC
FM - 88 MC to 108 MC	
AM - 455 KC	
FM - 10.7 MC	
D1 - FM AGC	
D2, D3 - Discriminator	
D4 - AM Detector	
D5 - Voltage Regulator	
Zener	
D8, D9, D10, D11 - Stereo Detector	

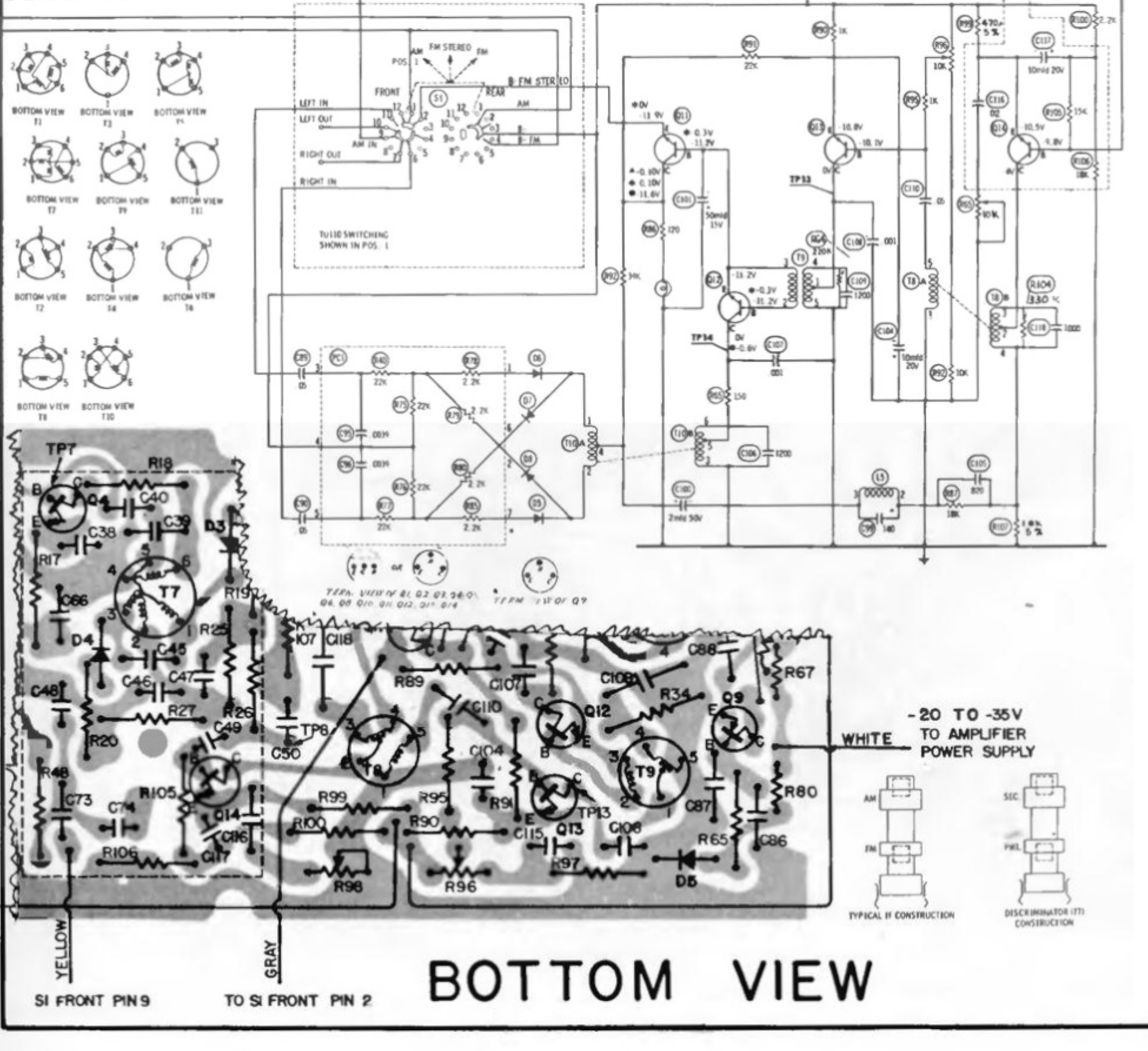


Covers models:
A236g; A334g, h
B233h
C226h; C314g, h;
C315g; C343h; C412g,
C422h, k; C716g
G237g; G321g, h;
G512g; G733h; G832g

GENERAL ELECTRIC



TUNER COMPONENT LAYOUT



BOTTOM VIEW

-20 TO -35V TO AMPLIFIER POWER SUPPLY

