

# SANYO SPECIFICATIONS

Thick Film Hybrid IC

## STK426-530

2-channel High Efficiency AF Power Amplifier **TENTATIVE**

- ◆ Case Outline  
22 pins (See attached case outline drawing.)
- ◆ Function  
2-channel high efficiency AF power amplifier
- ◆ Application  
100W audio use
- ◆ Feature
  - Low power consumption
  - Built-in thermal detection circuit and switch circuit of AB class

### ◆ Maximum Ratings / Ta = 25 °C

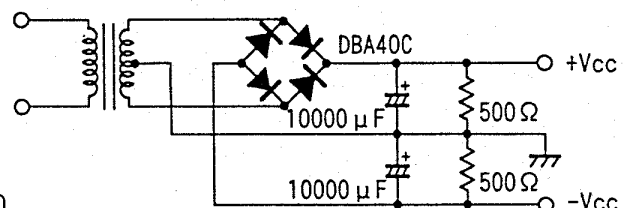
Item	Symbol	Conditions	Ratings	Unit
Power Supply Voltage	Vcc max		±77	V
Thermal Resistance	$\theta_{j-c}$	Per one power TR	1.5	°C/W
Junction Temperature	Tj		150	°C
Operating Substrate Temperature	Tc		125	°C
Storage Temperature	Tstg		-30 to +125	°C
Available Time for Load Short-circuit #1	ts	Vcc=±49V, RL=6Ω, Po=100W, f=50Hz, V12=0V	0.5	s
Pin12 Input Voltage	V12		25	V

### ◆ Operating Characteristics / Ta=25 °C, RL=6Ω (Non-inductive Load), Rg=600Ω, VG=40dB, 100kHz LPF ON

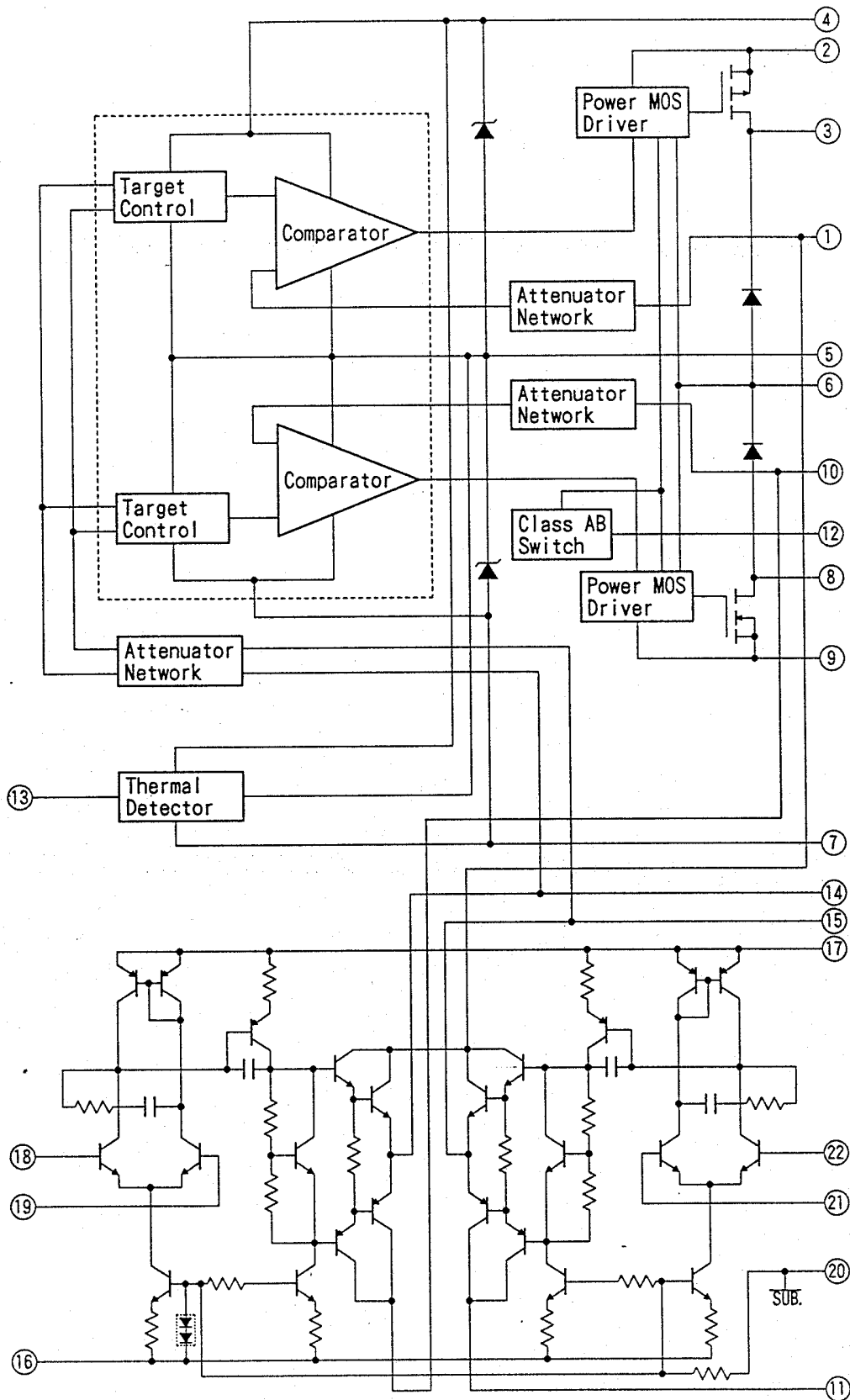
Item	Symbol	Conditions				Ratings			Unit
		Vcc[V]	f[Hz]	Po[W]	THD[%]	min.	typ.	max.	
Operating Power Supply Voltage	Vccop					±25	-	±77	V
Quiescent Current	Icco	±63				20	-	120	mA
Output Power #1	Po	±49	20 to 20k		0.4	100	-	-	W
Total Harmonic Distortion #1	THD1	±49	1k	1.0		-	-	0.4	%
	THD2	±49	1k	50		-	0.02	-	
Frequency Characteristics #1	fL, fH	±49		1.0		+0 -3 dB		20 to 50k	Hz
Input Impedance	ri	±49	1k	1.0		-	55	-	kΩ
Output Noise Voltage	VNO	±63			Rg=2.2kΩ	-	-	1	mVrms
Neutral Voltage	VN	±63				-70	0	+70	mV
Thermal Detection Temperature	Td					-	145	-	°C
V12 for Class AB Operation	V12H					3.5	-	-	V
V12 for High Efficiency Operation	V12L					0	-	0.8	V

- (Note) • Item #1 are measured at 1 channel operation.
- All tests are measured using a constant-voltage supply unless otherwise specified.
  - Available time for load short-circuit and output noise voltage are measured using the transformer supply specified right.
  - Operating characteristics are measured using the choke coil specified below.
  - The output noise voltage is peak value of an average-reading meter with a rms value scale (VTVM). A regulated AC supply (50Hz) should be used to eliminate the effects of AC primary line flicker noise.
  - Specified choke coil : Toho Zinc HK10S130-0800  
Hitachi HK09100B

Specified Transformer Power Supply  
(Equivalent to MG-250)

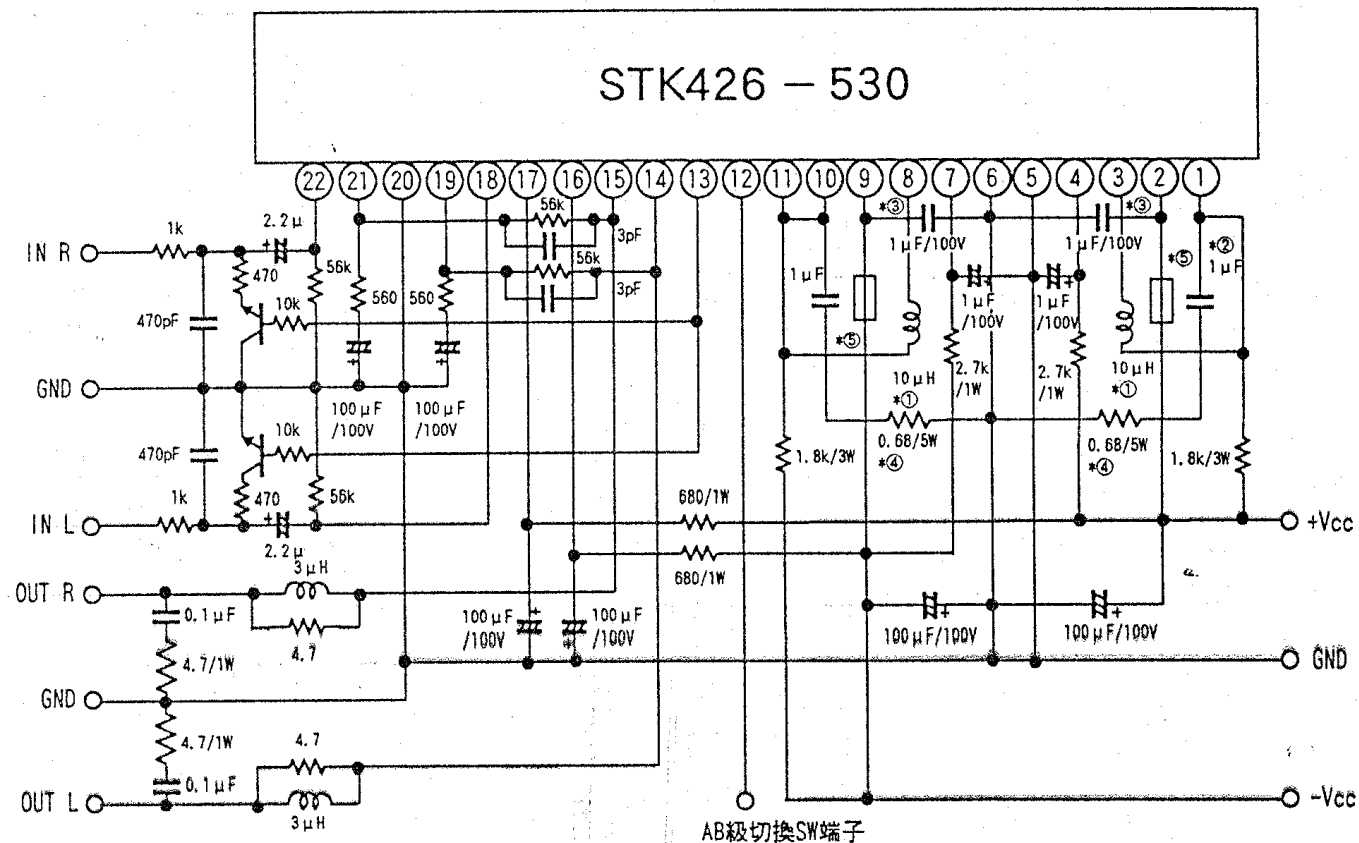


TENTATIVE



## ■ 配線図例

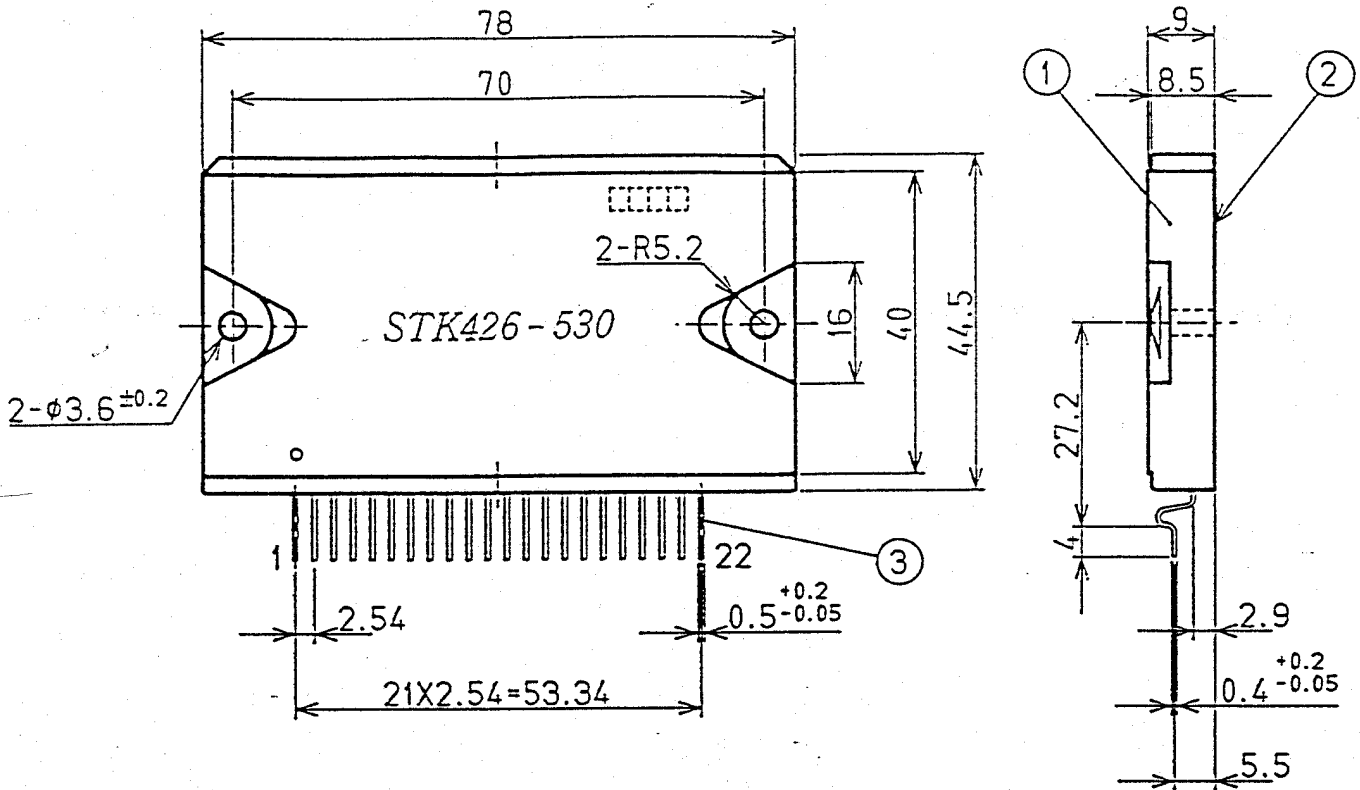
(STK426 - 530 (100W品))



1k

- \*①は、指定チョークコイル担当。
- \*②は、松下製マイラコンデンサ ECQE1105KF 担当。
- \*③は、高周波平滑対応コンデンサ。
- \*④は、酸化金属皮膜抵抗 (赤羽電具製作所 RSMF5B0、68 Ω J 担当)。
- \*⑤は、フェライトビーズ ((株) 村田製作所 : BL02RN2 担当)。
- ・指定無き抵抗器は、すべて 1/4W。

Unit : mm



■ No products described or contained herein are intended for use in surgical implants, life-support systems, aerospace equipment, nuclear power control systems, vehicles, disaster/crime-prevention equipment and the like, the failure of which may directly or indirectly cause injury, death or property loss.

■ Anyone purchasing any products described or contained herein for an above-mentioned use shall:

- ① Accept full responsibility and indemnify and defend SANYO ELECTRIC CO.,LTD., its affiliates, subsidiaries and distributors and all their officers and employees, jointly and severally, against any and all claims and litigation and all damage, cost and expenses associated with such use:
- ② Not impose any responsibility for any fault or negligence which may be cited in any such claim or litigation on SANYO ELECTRIC CO.,LTD., its affiliates, subsidiaries and distributors or any of their officers and employees jointly or severally.

■ Information (including circuit diagrams and circuit parameters) herein is for example only; it is not guaranteed for volume production. SANYO believes information herein is accurate and reliable, but no guarantees are made or implied regarding its use or any infringements of intellectual property rights or other rights of third parties.