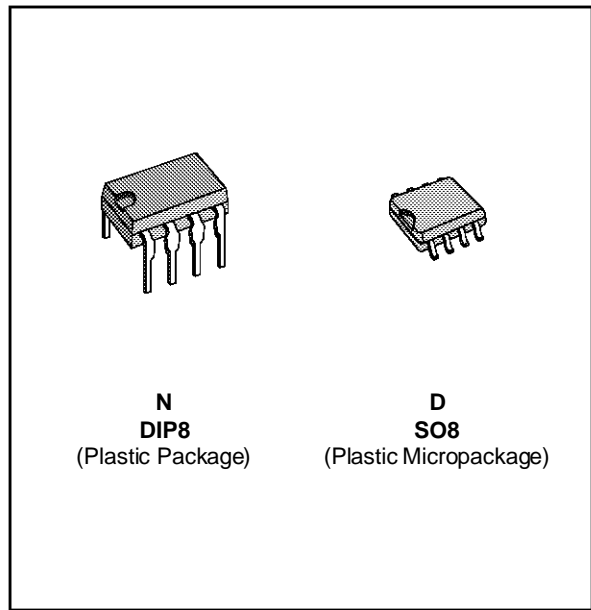




LOW POWER DUAL OPERATIONAL AMPLIFIERS

- INTERNALLY FREQUENCY COMPENSATED
- LARGE DC VOLTAGE GAIN : 100dB
- WIDE BANDWIDTH (unity gain) : 1.1MHz (temperature compensated)
- VERY LOW SUPPLY CURRENT/AMPLI (500µA) - ESSENTIALLY INDEPENDENT OF SUPPLY VOLTAGE
- LOW INPUT BIAS CURRENT : 20nA (temperature compensated)
- LOW INPUT OFFSET VOLTAGE : 2mV
- LOW INPUT OFFSET CURRENT : 2nA
- INPUT COMMON-MODE VOLTAGE RANGE INCLUDES GROUND
- DIFFERENTIAL INPUT VOLTAGE RANGE EQUAL TO THE POWER SUPPLY VOLTAGE
- LARGE OUTPUT VOLTAGE SWING 0V TO ($V_{CC} - 1.5V$)



DESCRIPTION

These circuits consist of two independent, high gain, internally frequency compensated which were designed specifically to operate from a single power supply over a wide range of voltages. The low power supply drain is independent of the magnitude of the power supply voltage.

Application areas include transducer amplifiers, dc gain blocks and all the conventional op-amp circuits which now can be more easily implemented in single power supply systems. For example, these circuits can be directly operated off the standard +5V power supply voltage which is used in logic systems and will easily provide the required interface electronics without requiring any additional power supply.

In the linear mode the input common-mode voltage range includes ground and the output voltage can also swing to ground, even though operated from only a single power supply voltage.

The gain-bandwidth product is temperature compensated.

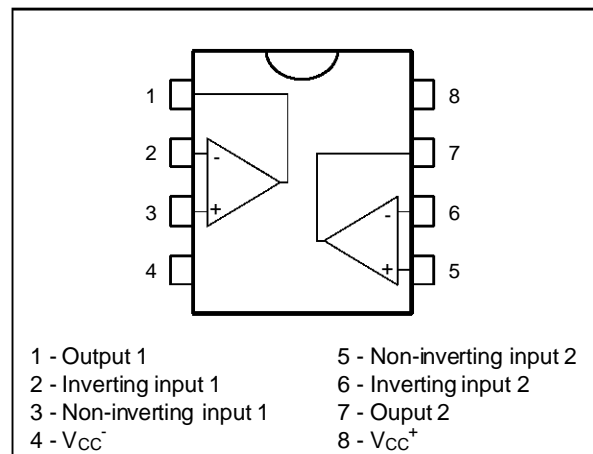
ORDER CODES

| Part Number | Temperature Range | Package | |
|-------------|-------------------|---------|---|
| | | N | D |
| LM158,A | -55°C, +125°C | • | • |
| LM258,A | -40°C, +105°C | • | • |
| LM358,A | 0°C, +70°C | • | • |

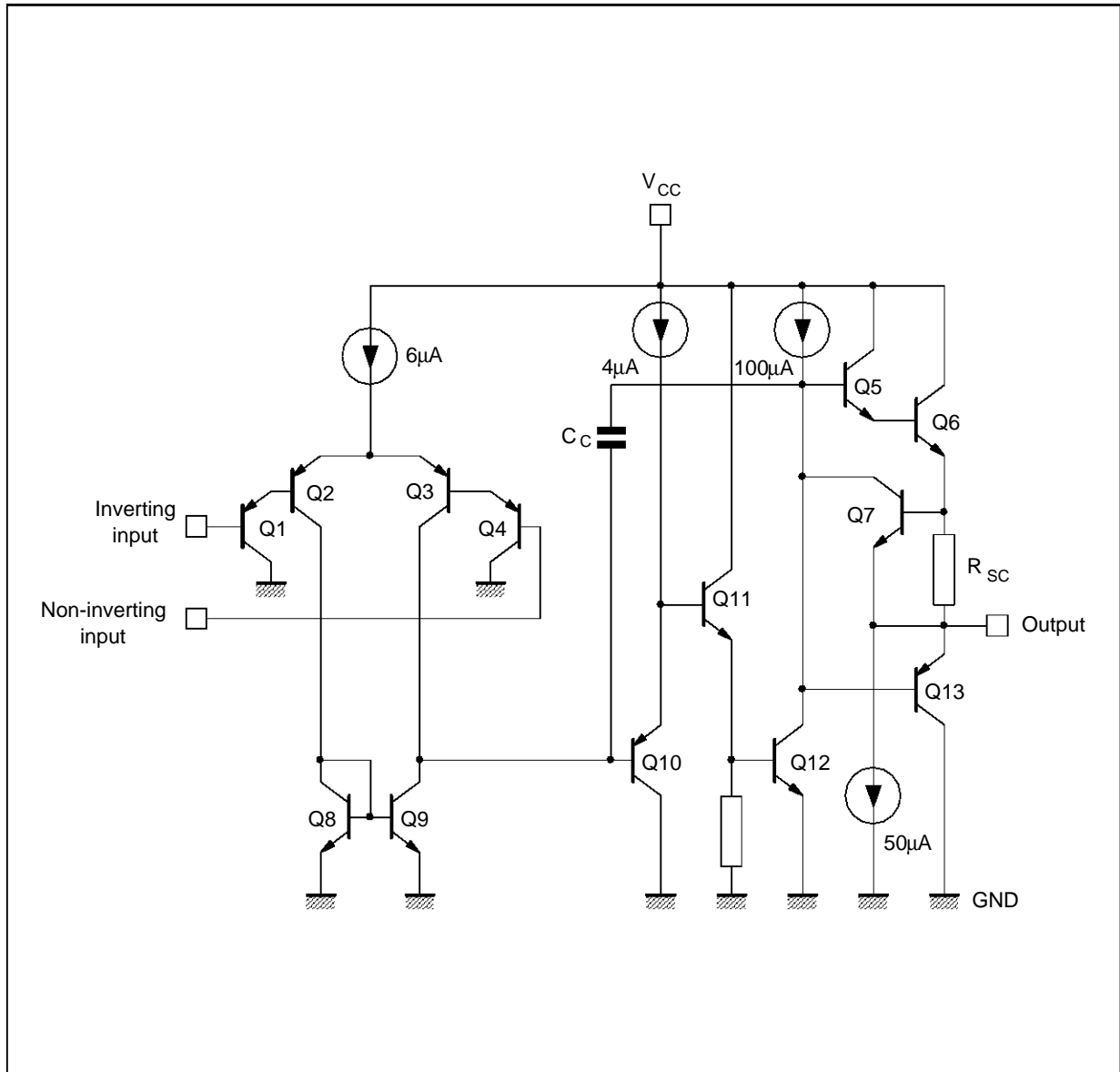
Example : LM258N

158-01.TBL

PIN CONNECTIONS (top view)



SCHEMATIC DIAGRAM (1/2 LM158)



158-02.EPS

ABSOLUTE MAXIMUM RATINGS

| Symbol | Parameter | LM158,A | LM258,A | LM358,A | Unit |
|-------------------|--|-------------|-------------|-------------|------|
| V _{CC} | Supply Voltage | +32 | +32 | +32 | V |
| V _i | Input Voltage | -0.3 to +32 | -0.3 to +32 | -0.3 to +32 | V |
| V _{id} | Differential Input Voltage | +32 | +32 | +32 | V |
| | Output Short-circuit Duration - (note 2) | Infinite | | | |
| P _{tot} | Power Dissipation | 500 | 500 | 500 | mW |
| I _{in} | Input Current - (note 1) | 50 | 50 | 50 | mA |
| T _{oper} | Operating Free-air Temperature Range | -55 to +125 | -40 to +105 | 0 to +70 | °C |
| T _{stg} | Storage Temperature Range | -65 to +150 | -65 to +150 | -65 to +150 | °C |

158-02.TBL

ELECTRICAL CHARACTERISTICS

$V_{CC}^+ = +5V$, $V_{CC}^- = \text{Ground}$, $V_O = 1.4V$, $T_{amb} = 25^\circ C$ (unless otherwise specified)

| Symbol | Parameter | LM158A LM258A LM358A | | | LM158 LM258 LM358 | | | Unit |
|------------|---|----------------------------|----------|------------------------------------|-------------------------|----------|------------------------------------|------------------------|
| | | Min. | Typ. | Max. | Min. | Typ. | Max. | |
| V_{io} | Input Offset Voltage - (note 3) $T_{amb} = 25^\circ C$ LM158, LM258 LM158A $T_{min.} \leq T_{amb} \leq T_{max.}$ LM158, LM258 | | 1 | 3 2 4 | | 2 | 7 5 9 7 | mV |
| I_{io} | Input Offset Current $T_{amb} = 25^\circ C$ $T_{min.} \leq T_{amb} \leq T_{max.}$ | | 2 | 10 30 | | 2 | 30 40 | nA |
| I_{ib} | Input Bias Current - (note 4) $T_{amb} = 25^\circ C$ $T_{min.} \leq T_{amb} \leq T_{max.}$ | | 20 | 50 100 | | 20 | 150 200 | nA |
| A_{vd} | Large Signal Voltage Gain ($V_{CC} = +15V$, $R_L = 2k\Omega$, $V_O = 1.4V$ to $11.4V$) $T_{amb} = 25^\circ C$ $T_{min.} \leq T_{amb} \leq T_{max.}$ | 50 25 | 100 | | 50 25 | 100 | | V/mV |
| SVR | Supply Voltage Rejection Ratio ($R_S = 10k\Omega$) ($V_{CC}^+ = 5$ to $30V$) $T_{amb} = 25^\circ C$ $T_{min.} \leq T_{amb} \leq T_{max.}$ | 65 65 | 100 | | 65 65 | 100 | | dB |
| I_{CC} | Supply Current, all Amp, no Load $V_{CC} = +5V$, $T_{min.} \leq T_{amb} \leq T_{max.}$ $V_{CC} = +30V$, $T_{min.} \leq T_{amb} \leq T_{max.}$ | | 0.7 | 1.2 2 | | 0.7 | 1.2 2 | mA |
| V_{icm} | Input Common Mode Voltage Range ($V_{CC} = +30V$) - (note 6) $T_{amb} = 25^\circ C$ $T_{min.} \leq T_{amb} \leq T_{max.}$ | 0 0 | | $V_{CC}^+ - 1.5$ $V_{CC}^+ - 2$ | 0 0 | | $V_{CC}^+ - 1.5$ $V_{CC}^+ - 2$ | V |
| CMR | Common-mode Rejection Ratio ($R_S = 10k\Omega$) $T_{amb} = 25^\circ C$ $T_{min.} \leq T_{amb} \leq T_{max.}$ | 70 60 | 85 | | 70 60 | 85 | | dB |
| I_O | Output Short Circuit Current ($V_{CC} = +15V$, $V_O = 2V$, $V_{id} = +1V$) | 20 | 40 | 60 | 20 | 40 | 60 | mA |
| I_{sink} | Output Current Sink ($V_{id} = -1V$) $V_{CC} = +15V$, $V_O = 2V$ $V_{CC} = +15V$, $V_O = +0.2V$ | 10 12 | 20 50 | | 10 12 | 20 50 | | mA μA |
| V_{OPP} | Output Voltage Swing ($R_L = 2k\Omega$) $T_{amb} = 25^\circ C$ $T_{min.} \leq T_{amb} \leq T_{max.}$ | 0 0 | | $V_{CC}^+ - 1.5$ $V_{CC}^+ - 2$ | 0 0 | | $V_{CC}^+ - 1.5$ $V_{CC}^+ - 2$ | V |
| V_{OH} | High Level Output Voltage ($V_{CC}^+ = 30V$) $T_{amb} = 25^\circ C$ $R_L = 2k\Omega$ $T_{min.} \leq T_{amb} \leq T_{max.}$ $T_{amb} = 25^\circ C$ $R_L = 10k\Omega$ $T_{min.} \leq T_{amb} \leq T_{max.}$ | 26 26 27 27 | 27 28 | | 26 26 27 27 | 27 28 | | V |
| V_{OL} | Low Level Output Voltage ($R_L = 10k\Omega$) $T_{amb} = 25^\circ C$ $T_{min.} \leq T_{amb} \leq T_{max.}$ | | 5 | 20 20 | | 5 | 20 20 | mV |
| SR | Slew Rate ($V_{CC} = 15V$, $V_I = 0.5$ to $3V$, $R_L = 2k\Omega$, $C_L = 100pF$, $T_{amb} = 25^\circ C$, unity gain) | 0.3 | 0.6 | | 0.3 | 0.6 | | V/ μs |
| GBP | Gain Bandwidth Product ($V_{CC} = 30V$, $f = 100kHz$, $T_{amb} = 25^\circ C$, $V_{in} = 10mV$, $R_L = 2k\Omega$, $C_L = 100pF$) | 0.7 | 1.1 | | 0.7 | 1.1 | | MHz |
| THD | Total Harmonic Distortion ($f = 1kHz$, $A_v = 20dB$, $R_L = 2k\Omega$, $V_{CC} = 30V$, $C_L = 100pF$, $T_{amb} = 25^\circ C$, $V_O = 2$ PP) | | 0.02 | | | 0.02 | | % |
| e_n | Equivalent Input Noise voltage ($f = 1kHz$, $R_S = 100\Omega$, $V_{CC} = 30V$) | | 55 | | | 55 | | $\frac{nV}{\sqrt{Hz}}$ |

158-03.TBL

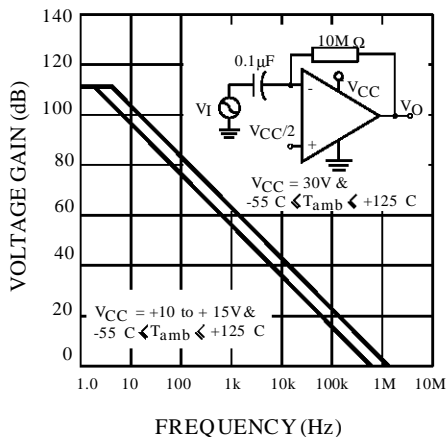
ELECTRICAL CHARACTERISTICS (continued)

| Symbol | Parameter | LM158A LM258A LM358A | | | LM158 LM258 LM358 | | | Unit |
|----------------------------------|---|----------------------------|------|------|-------------------------|------|------|-------|
| | | Min. | Typ. | Max. | Min. | Typ. | Max. | |
| DV _{io} | Input Offset Voltage Drift | | 7 | 15 | | 7 | 30 | μV/°C |
| DI _{io} | Input Offset Current Drift | | 10 | 200 | | 10 | 300 | pA/°C |
| V _{O1} /V _{O2} | Channel Separation (note 5) 1kHz ≤ f ≤ 20kHz | | 120 | | | 120 | | dB |

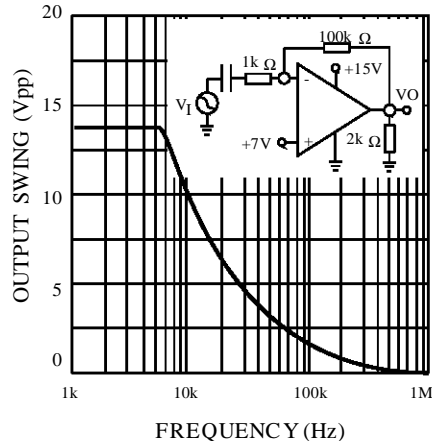
158-04.TBL

- Notes :
1. This input current only exist when the voltage at any of the input leads is driven negative. It is due to the collector-base junction of the input PNP transistor becoming forward biased and thereby acting as input diode clamps. In addition to this diode action, there is also NPN parasitic action on the IC chip. This transistor action can cause the output voltages of the Op-amps to go to the V_{CC} voltage level (or to ground for a large overdrive) for the time duration that an input is driven negative. This is not destructive and normal output will set up again for input voltage higher than -0.3V.
 2. Short-circuits from the output to V_{CC} can cause excessive heating if V_{CC} > 15V. The maximum output current is approximately 40mA independent of the magnitude of V_{CC}. Destructive dissipation can result from simultaneous short-circuits on all amplifiers.
 3. V_O = 1.4V, R_S = 0Ω, 5V < V_{CC} < 30V, 0 < V_{ic} < V_{CC} - 1.5V.
 4. The direction of the input current is out of the IC. This current is essentially constant, independent of the state of the output so no loading change exists on the input lines.
 5. Due to the proximity of external components insure that coupling is not originating via stray capacitance between these external parts. This typically can be detected as this type of capacitance increases at higher frequencies.
 6. The input common-mode voltage of either input signal voltage should not be allowed to go negative by more than 0.3V. The upper end of the common-mode voltage range is V_{CC} - 1.5V. But either or both inputs can go to +32V without damage.

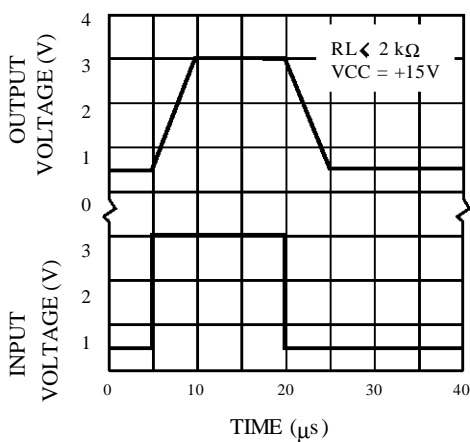
OPEN LOOP FREQUENCY RESPONSE (NOTE 3)



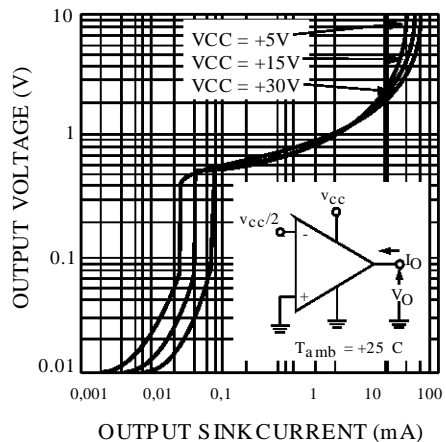
LARGE SIGNAL FREQUENCY RESPONSE



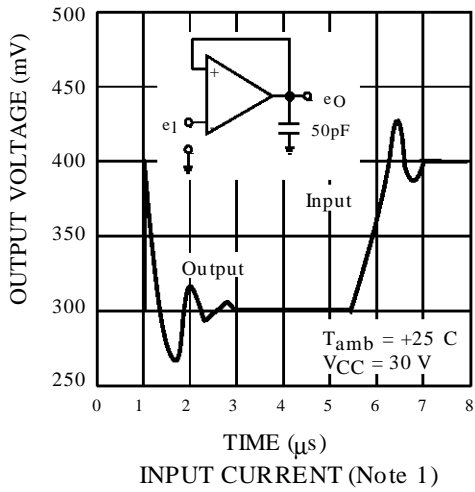
FREQUENCY (Hz)
VOLTAGE FOLLOWER PULSE RESPONSE



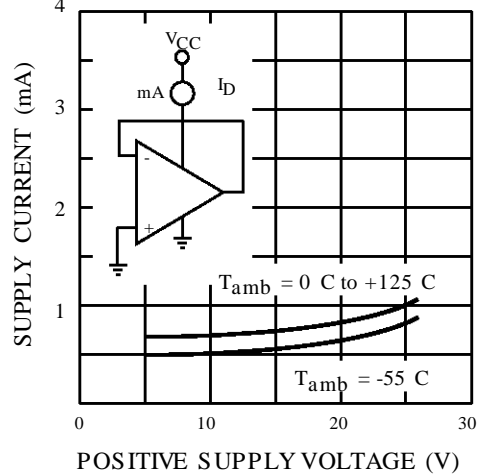
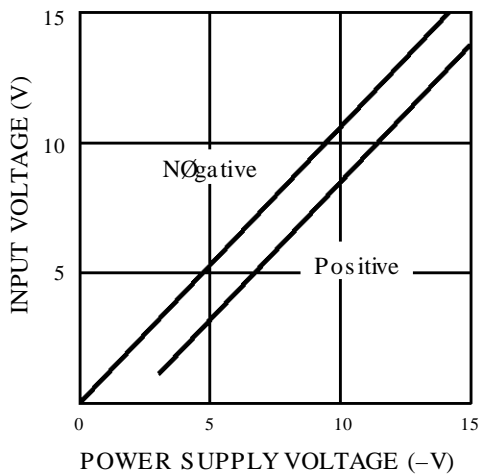
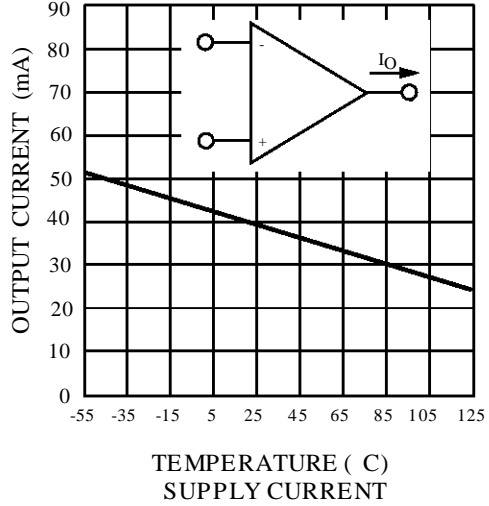
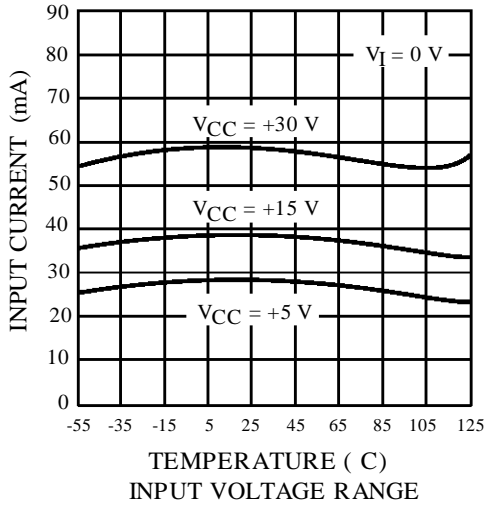
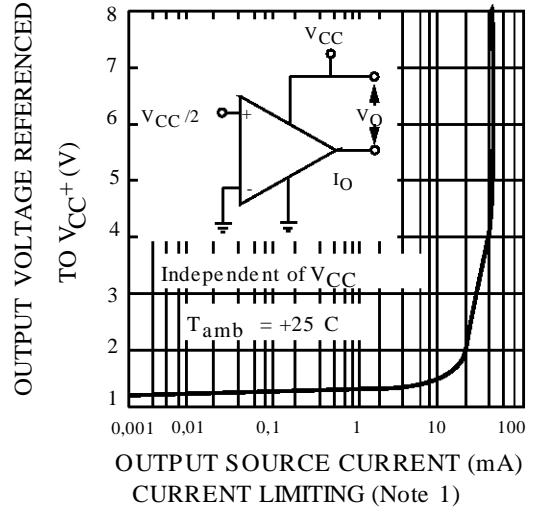
FREQUENCY (Hz)
OUTPUT CHARACTERISTICS

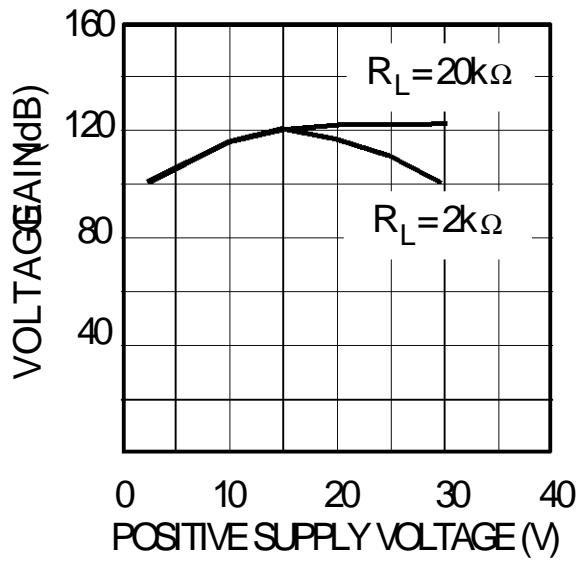


VOLTAGE FOLLOWER PULSE RESPONSE (SMALL SIGNAL)

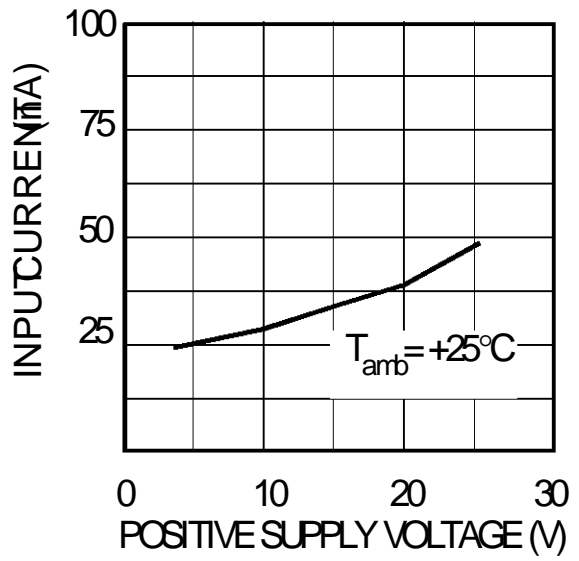


OUTPUT CHARACTERISTICS

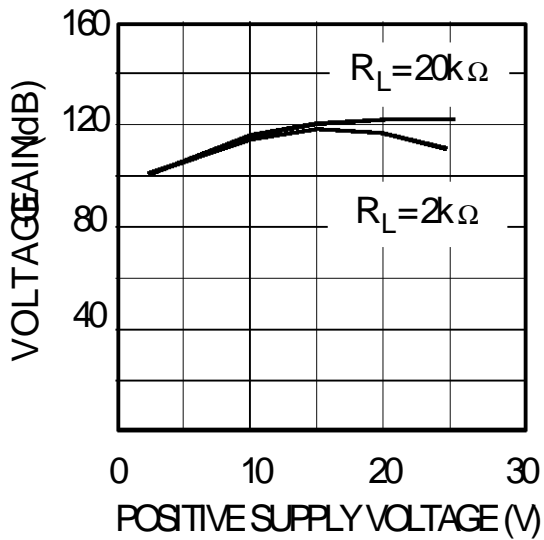




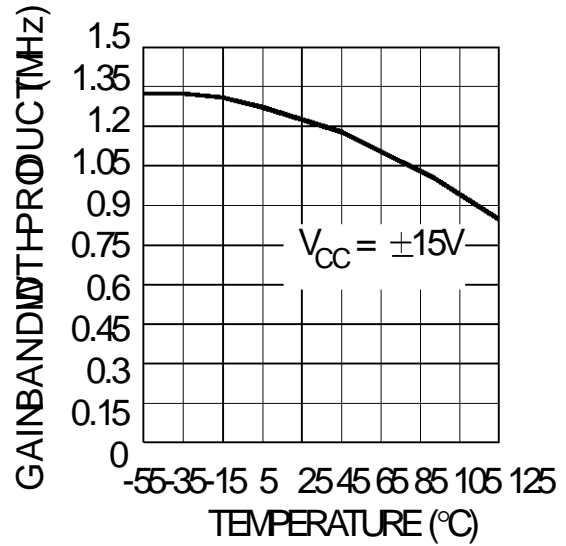
158-05.EPS



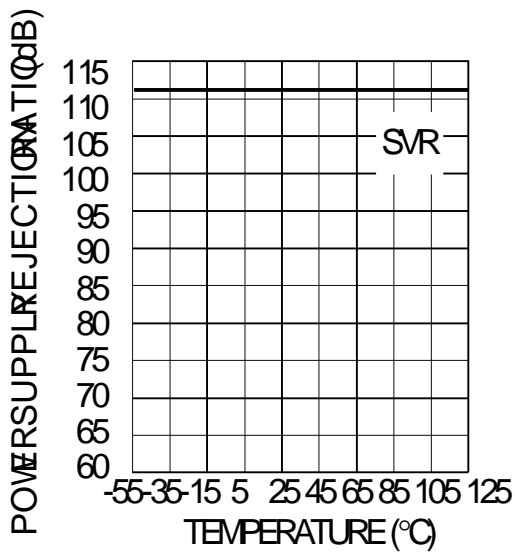
158-06.EPS



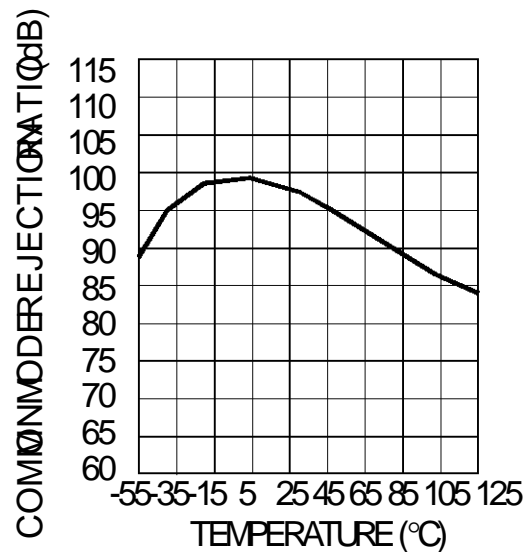
158-07.EPS



158-08.EPS



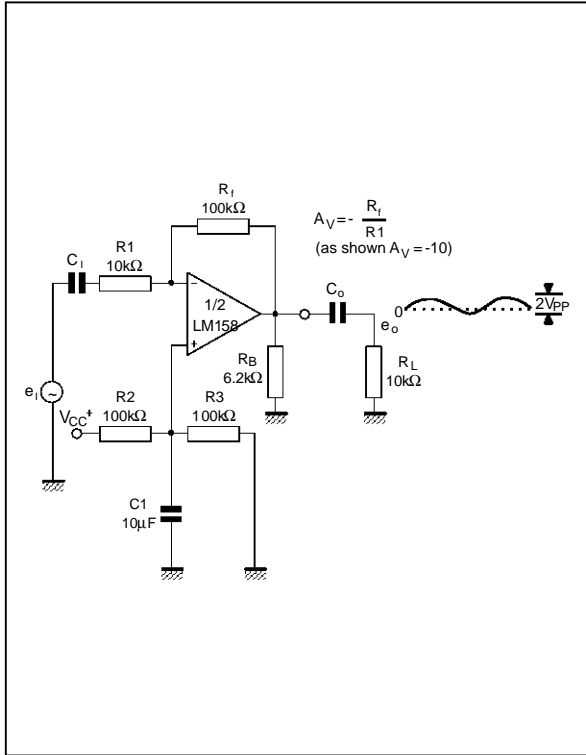
158-09.EPS



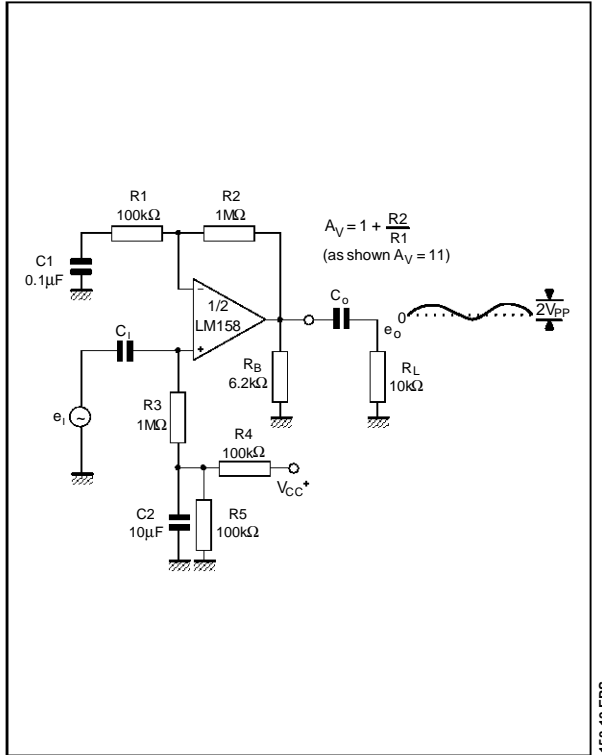
158-10.EPS

TYPICAL APPLICATIONS (single supply voltage) $V_{CC} = +5V_{DC}$

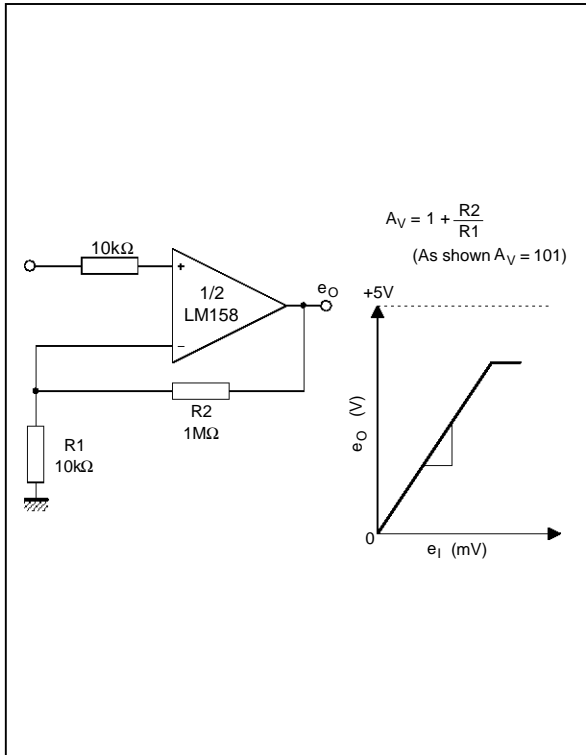
AC COUPLED INVERTING AMPLIFIER



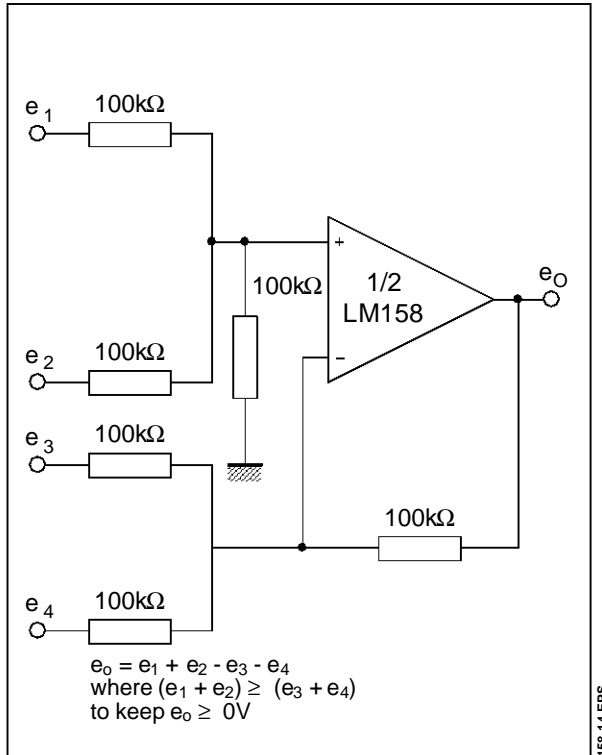
AC COUPLED NON-INVERTING AMPLIFIER



NON-INVERTING DC AMPLIFIER

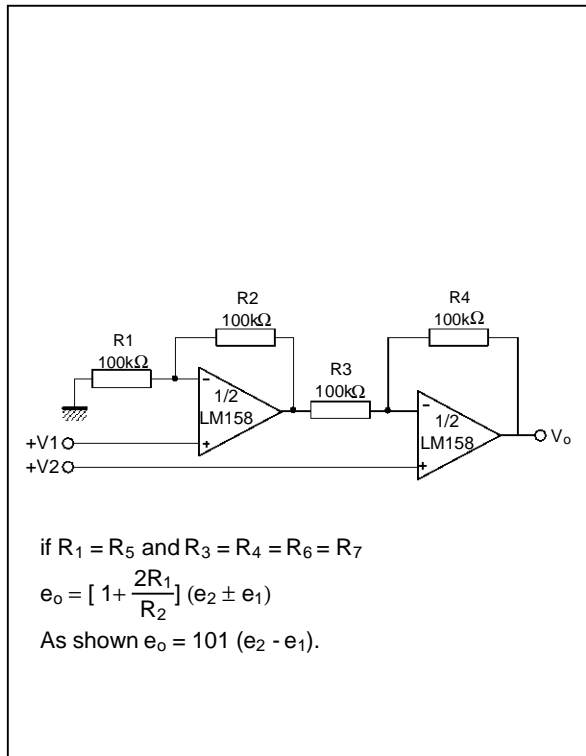


DC SUMMING AMPLIFIER

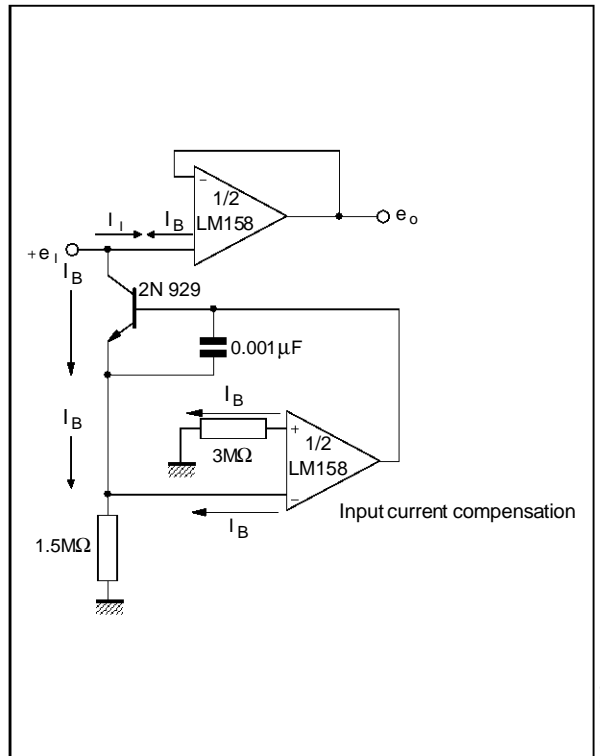


LM158,A - LM258,A - LM358,A

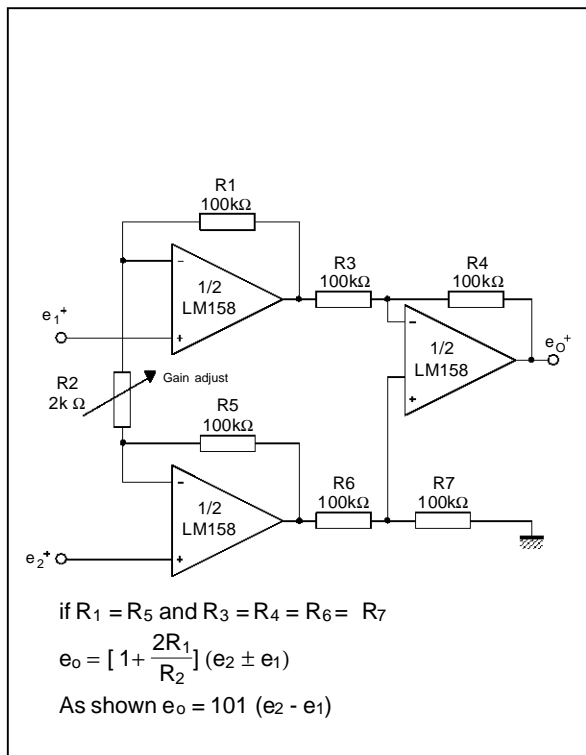
HIGH INPUT Z, DC DIFFERENTIAL AMPLIFIER



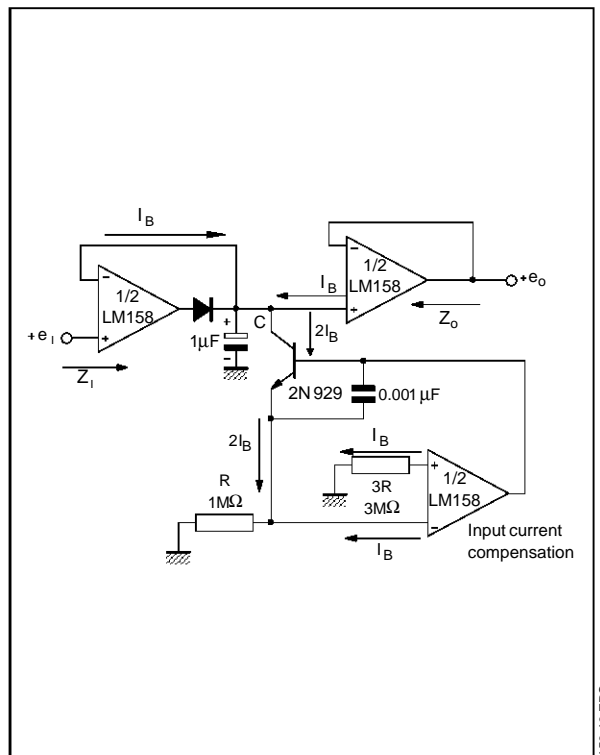
USING SYMMETRICAL AMPLIFIERS TO REDUCE INPUT CURRENT



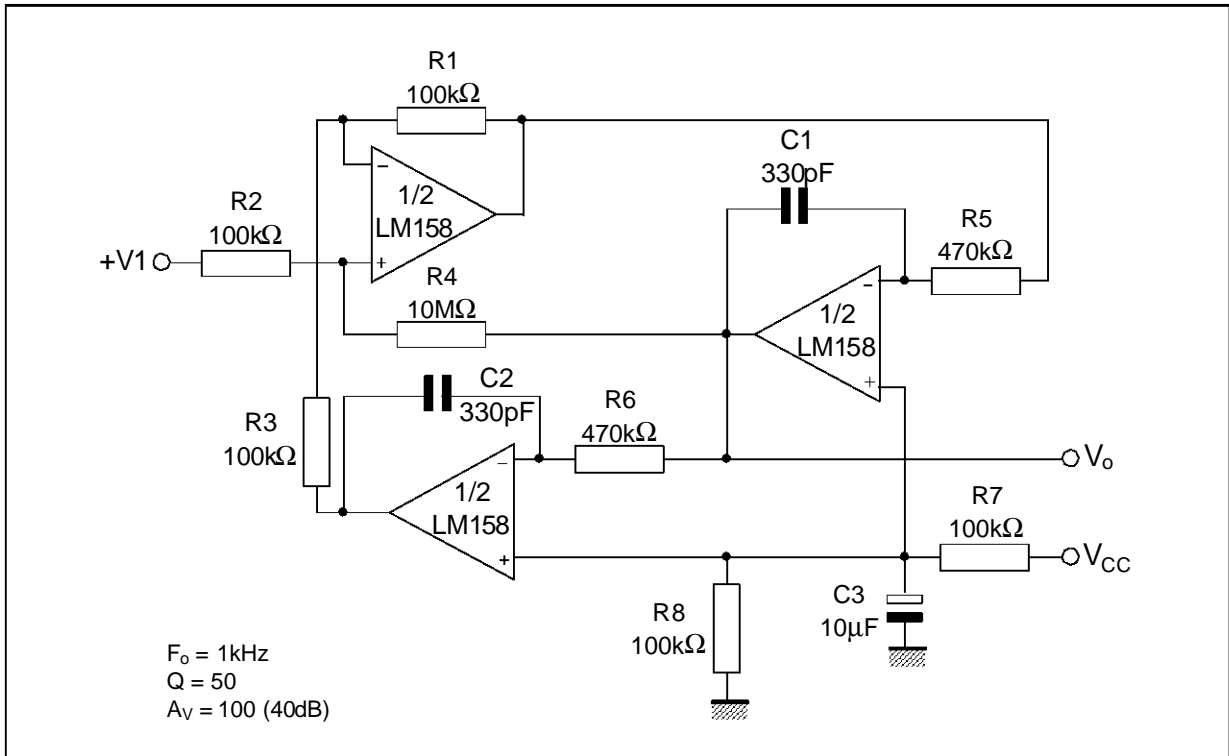
HIGH INPUT Z ADJUSTABLE GAIN DC INSTRUMENTATION AMPLIFIER



LOW DRIFT PEAK DETECTOR



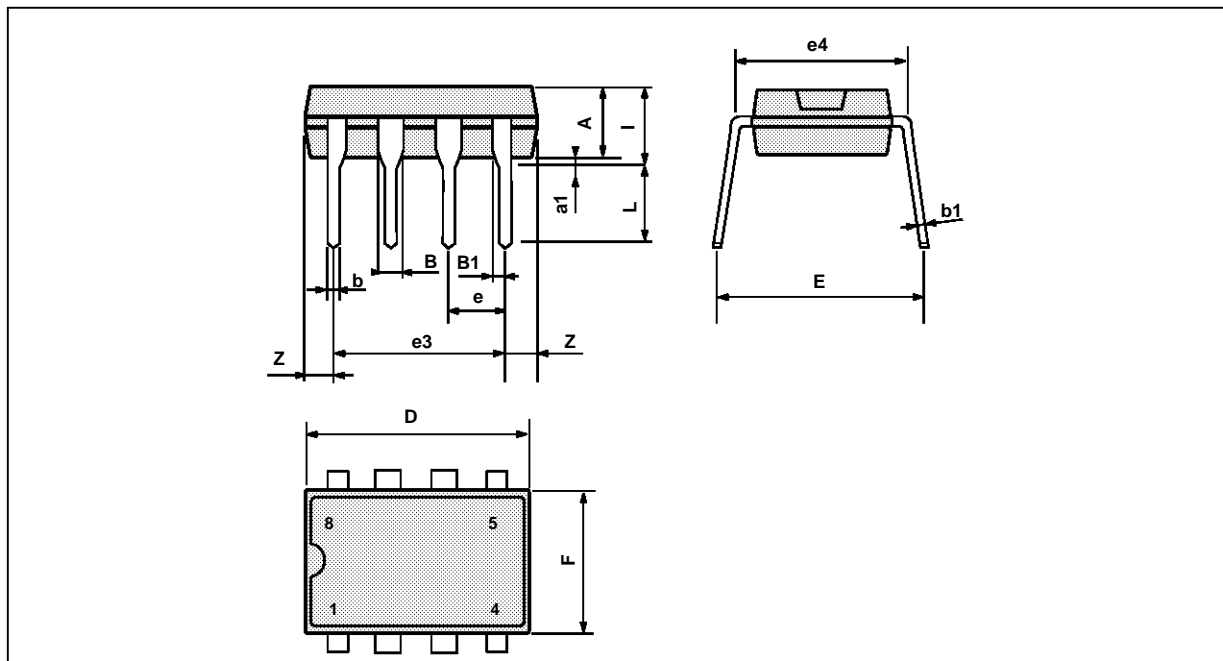
ACTIVE BAND-PASS FILTER



158-19.EPS

LM158,A - LM258,A - LM358,A

PACKAGE MECHANICAL DATA
8 PINS - PLASTIC DIP OR CerdIP

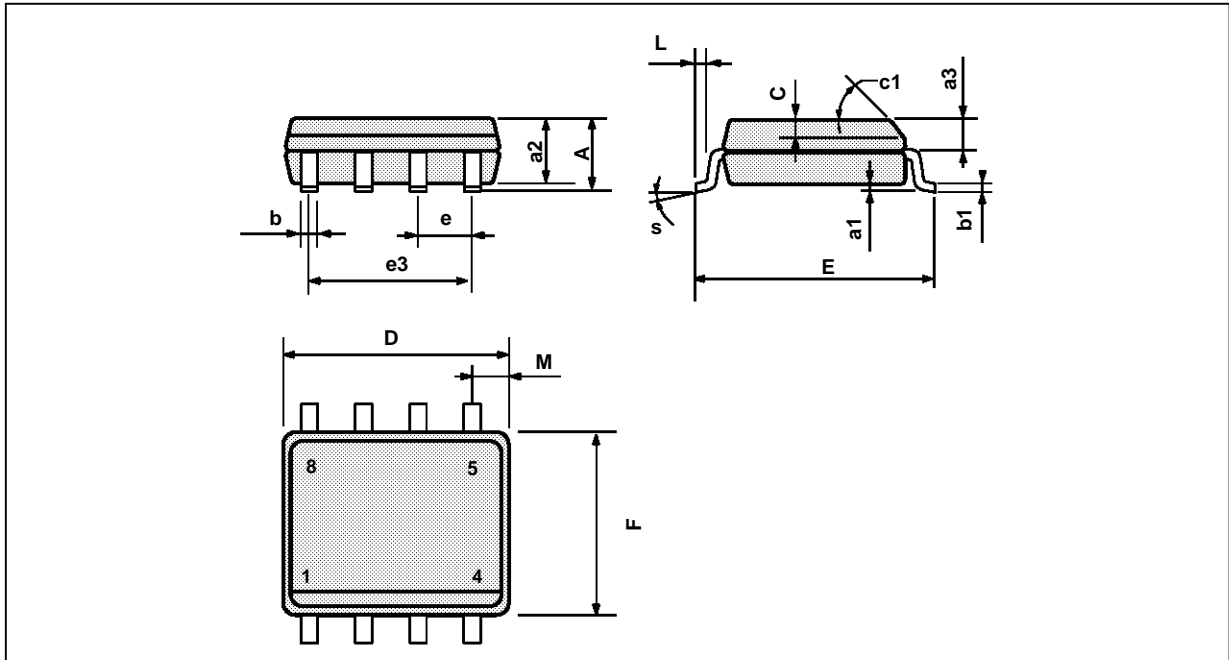


PM-DIP8.EPS

| Dimensions | Millimeters | | | Inches | | |
|------------|-------------|------|-------|--------|-------|-------|
| | Min. | Typ. | Max. | Min. | Typ. | Max. |
| A | | 3.32 | | | 0.131 | |
| a1 | 0.51 | | | 0.020 | | |
| B | 1.15 | | 1.65 | 0.045 | | 0.065 |
| b | 0.356 | | 0.55 | 0.014 | | 0.022 |
| b1 | 0.204 | | 0.304 | 0.008 | | 0.012 |
| D | | | 10.92 | | | 0.430 |
| E | 7.95 | | 9.75 | 0.313 | | 0.384 |
| e | | 2.54 | | | 0.100 | |
| e3 | | 7.62 | | | 0.300 | |
| e4 | | 7.62 | | | 0.300 | |
| F | | | 6.6 | | | 0.260 |
| i | | | 5.08 | | | 0.200 |
| L | 3.18 | | 3.81 | 0.125 | | 0.150 |
| Z | | | 1.52 | | | 0.060 |

DIP8.TBL

PACKAGE MECHANICAL DATA
8 PINS - PLASTIC MICROPACKAGE (SO)



PM-S08.EPS

| Dimensions | Millimeters | | | Inches | | |
|------------|-------------|------|------|--------|-------|-------|
| | Min. | Typ. | Max. | Min. | Typ. | Max. |
| A | | | 1.75 | | | 0.069 |
| a1 | 0.1 | | 0.25 | 0.004 | | 0.010 |
| a2 | | | 1.65 | | | 0.065 |
| a3 | 0.65 | | 0.85 | 0.026 | | 0.033 |
| b | 0.35 | | 0.48 | 0.014 | | 0.019 |
| b1 | 0.19 | | 0.25 | 0.007 | | 0.010 |
| C | 0.25 | | 0.5 | 0.010 | | 0.020 |
| c1 | 45° (typ.) | | | | | |
| D | 4.8 | | 5.0 | 0.189 | | 0.197 |
| E | 5.8 | | 6.2 | 0.228 | | 0.244 |
| e | | 1.27 | | | 0.050 | |
| e3 | | 3.81 | | | 0.150 | |
| F | 3.8 | | 4.0 | 0.150 | | 0.157 |
| L | 0.4 | | 1.27 | 0.016 | | 0.050 |
| M | | | 0.6 | | | 0.024 |
| S | 8° (max.) | | | | | |

SO8.TBL

Information furnished is believed to be accurate and reliable. However, SGS-THOMSON Microelectronics assumes no responsibility for the consequences of use of such information nor for any infringement of patents or other rights of third parties which may result from its use. No licence is granted by implication or otherwise under any patent or patent rights of SGS-THOMSON Microelectronics. Specifications mentioned in this publication are subject to change without notice. This publication supersedes and replaces all information previously supplied. SGS-THOMSON Microelectronics products are not authorized for use as critical components in life support devices or systems without express written approval of SGS-THOMSON Microelectronics.

© 1994 SGS-THOMSON Microelectronics - All Rights Reserved

SGS-THOMSON Microelectronics GROUP OF COMPANIES

Australia - Brazil - France - Germany - Hong Kong - Italy - Japan - Korea - Malaysia - Malta - Morocco - The Netherlands
Singapore - Spain - Sweden - Switzerland - Taiwan - Thailand - United Kingdom - U.S.A.

ORDER CODE :