

SANYO	No.1487B	LA7808
	B/W TV Synchronization, Deflection Circuit	

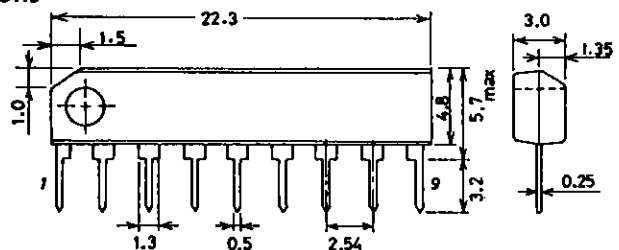
The LA7808 contains a sync separator.

Maximum Ratings at Ta=25°C			unit
Maximum Supply Voltage	V1		14.0 V
	V7		14.0 V
Allowable Power Dissipation	Pdmax	Ta ≤ 60°C	300 mW
Operating Temperature	Topr		-20 to +85 °C
Storage Temperature	Tstg		-55 to +125 °C

Recommended Operating Condition at Ta=25°C			unit
Recommended Supply Voltage	V1		12.0 V
	V7		12.0 V

Operating Characteristics at Ta=25°C, V1=V7=12V				min	typ	max	unit
V _{CC1} Current Dissipation	I _{CC1}			6.0		11.0	mA
V _{CC2} Current Dissipation	I _{CC7}			3.8		7.1	mA
Sync Separation Input DC Level				9.0		9.6	V
Sync Signal Peak Value				11.0			V
Horizontal DC Loop Gain		+ sign at V ₂ =5V, - sign at V ₂ =1V		±240		±400	μA
Horizontal Free-Running Frequency	f _H	f _H center=15.750kHz		-750		750	Hz
Horizontal Oscillation Start Voltage						4.0	V
Increased/Reduced Voltage Characteristic of Horizontal Frequency		V1=12±1V (15.750kHz at 12V)		-50		50	Hz/V
Temperature Characteristic of Horizontal Frequency		Ta=-10 to +60°C		-2.20		1.22	Hz/°C
Horizontal Frequency Warm-up Drift		5s to 30min. after switch ON		-90		50	Hz
Horizontal Output Pulse Width		Positive pulse period		21.5		26.5	μs
Horizontal Output Drive Current				4.2		7.8	mA

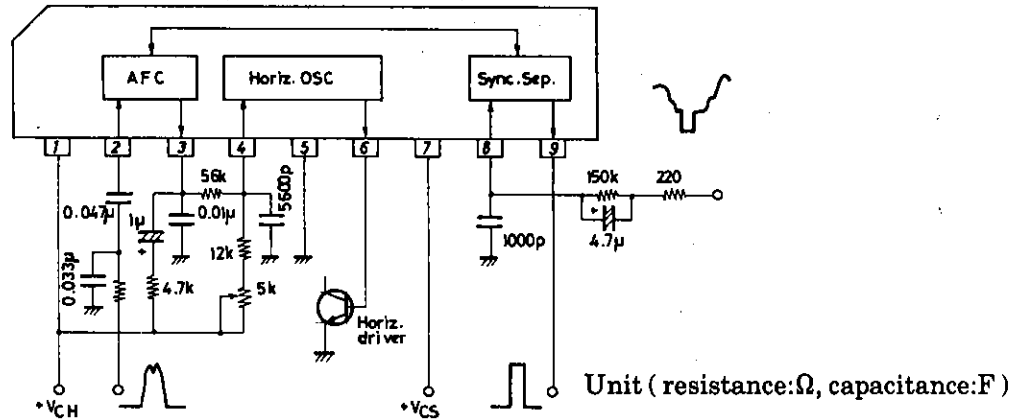
Package Dimensions
(unit : mm)
3017C



SANYO : SIP9

SANYO Electric Co., Ltd. Semiconductor Business Headquarters
TOKYO OFFICE Tokyo Bldg., 1-10, 1 Chome, Ueno, Taito-ku, TOKYO, 110 JAPAN

Sample Application Circuit : Sync, Deflection Circuit



■ No products described or contained herein are intended for use in surgical implants, life-support systems, aerospace equipment, nuclear power control systems, vehicles, disaster/crime-prevention equipment and the like, the failure of which may directly or indirectly cause injury, death or property loss.

■ Anyone purchasing any products described or contained herein for an above-mentioned use shall:

- ① Accept full responsibility and indemnify and defend SANYO ELECTRIC CO., LTD., its affiliates, subsidiaries and distributors and all their officers and employees, jointly and severally, against any and all claims and litigation and all damages, cost and expenses associated with such use:
- ② Not impose any responsibility for any fault or negligence which may be cited in any such claim or litigation on SANYO ELECTRIC CO., LTD., its affiliates, subsidiaries and distributors or any of their officers and employees jointly or severally.

■ Information (including circuit diagrams and circuit parameters) herein is for example only; it is not guaranteed for volume production. SANYO believes information herein is accurate and reliable, but no guarantees are made or implied regarding its use or any infringements of intellectual property rights or other rights of third parties.