

TENTATIVE

Case Outline : 15 pins (See attached case outline drawing.)

Function : Focus output power amp

Use : Video projectors

**Absolute Maximum Ratings at Ta = 25°C**

			unit
Supply Voltage	VCC	±22	V
Collector Current	Ic	1	A
Thermal Resistance	θj-c	Per power Tr	15 °C/W
Operating Case Temperature	Tc	105	°C
Junction Temperature	Tj	150	°C
Storage Temperature	Tstg	-30 to +105	°C

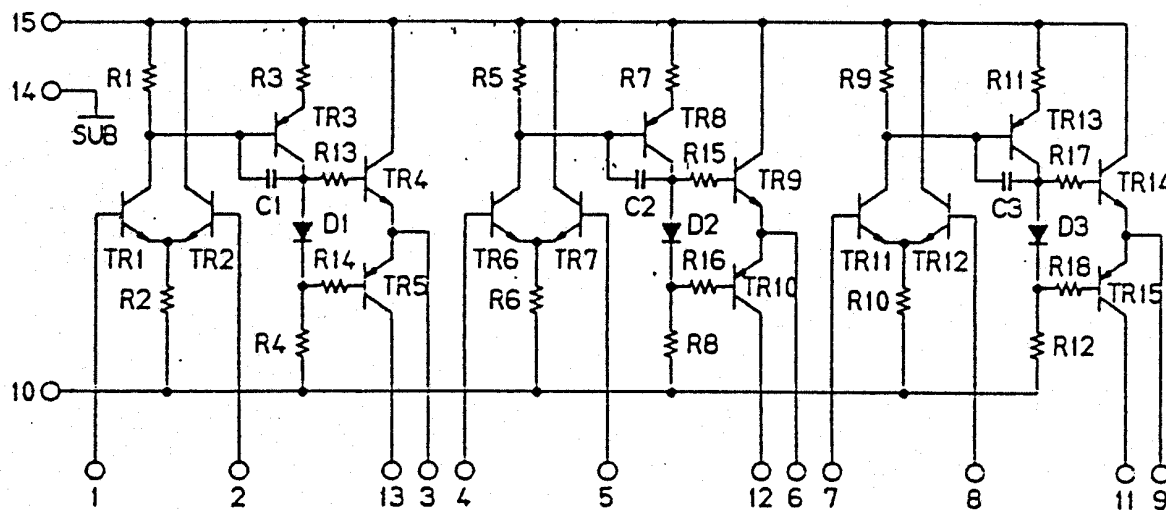
**Operating Characteristics at Ta = 25°C, RL = 47Ω**

			min	typ	max	unit
Output Noise Voltage	VNO	VCC = ±20V, circuit (1)				1 mVrms
Midpoint Voltage	VN	VCC = ±20V, circuit (2)	-50		+50	mV
Quiescent Current	Icco	VCC = ±20V, circuit (2)			40	mA
Output Current (1)	Io (1)	VCC = ±20V, Vol.1 max, circuit (1)	+180	+200		mA
Output Current (2)	Io (2)	VCC = ±20V, Vol.1 min, circuit (1)	-160	-180		mA

**Remarks**

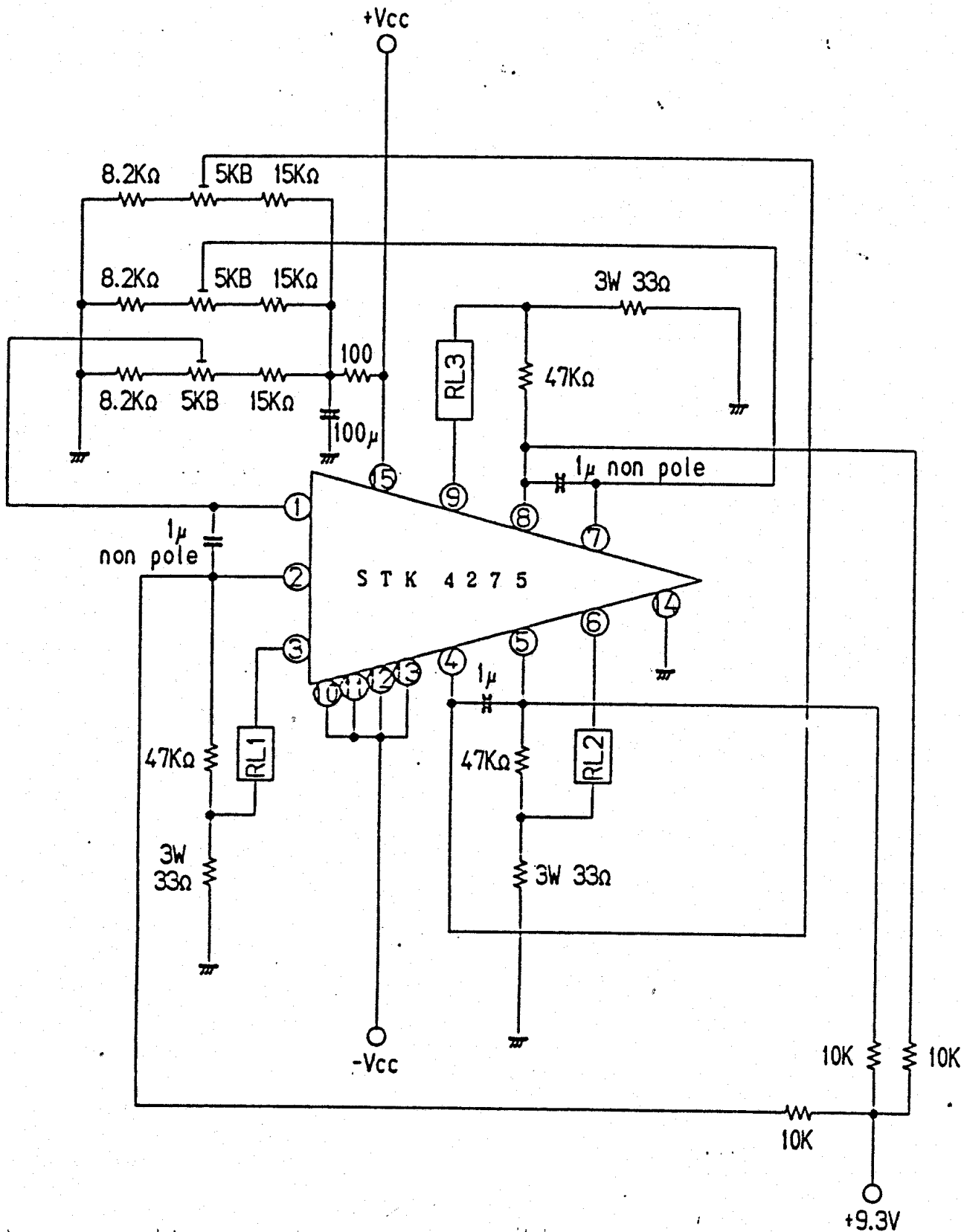
- For power supply at the time of test, use a constant-voltage power supply unless otherwise specified.

**Internal Equivalent Circuit (STK4275)**



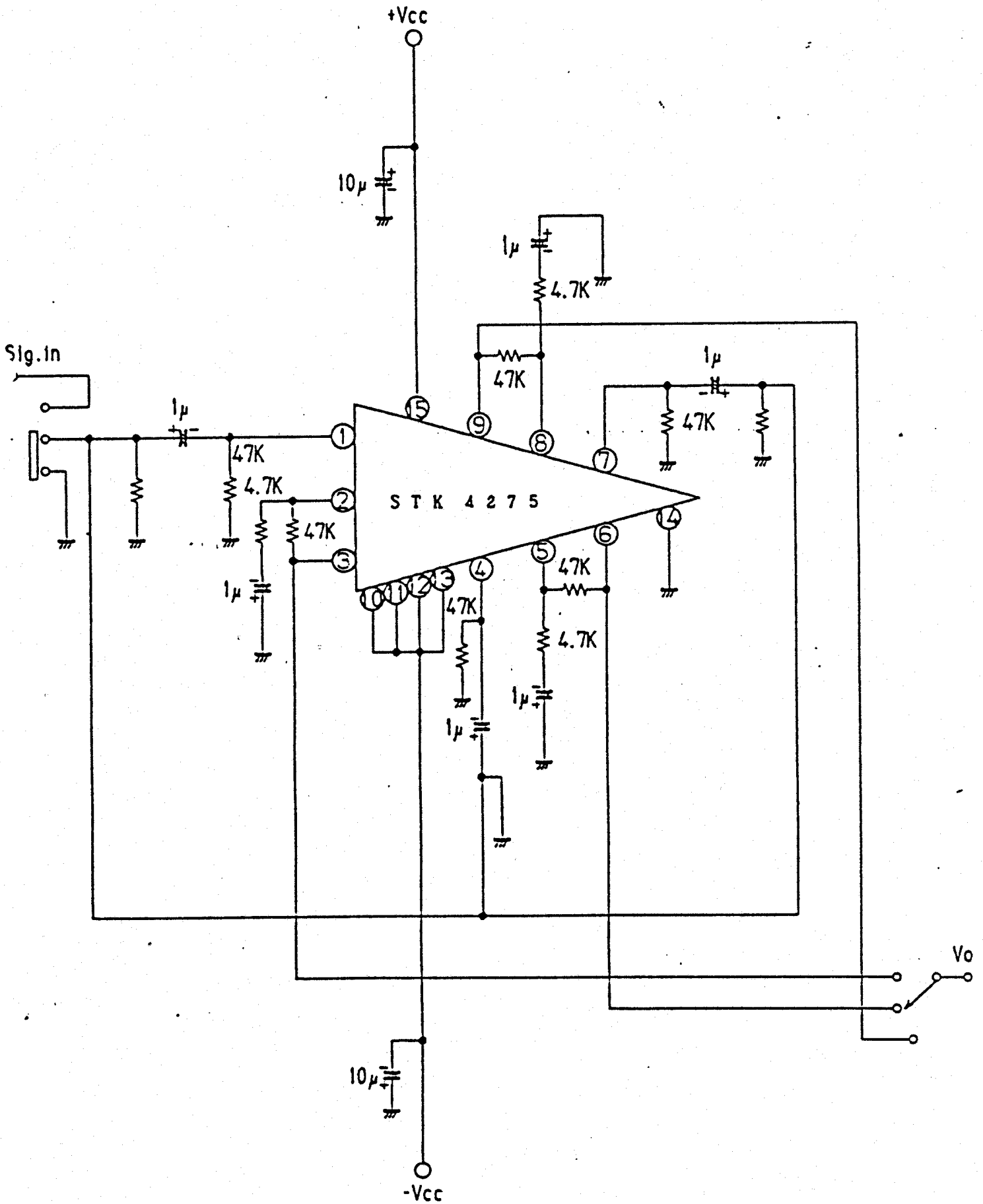
Specifications and information herein are subject to change without notice.

Test Circuit (1) (STK4275)



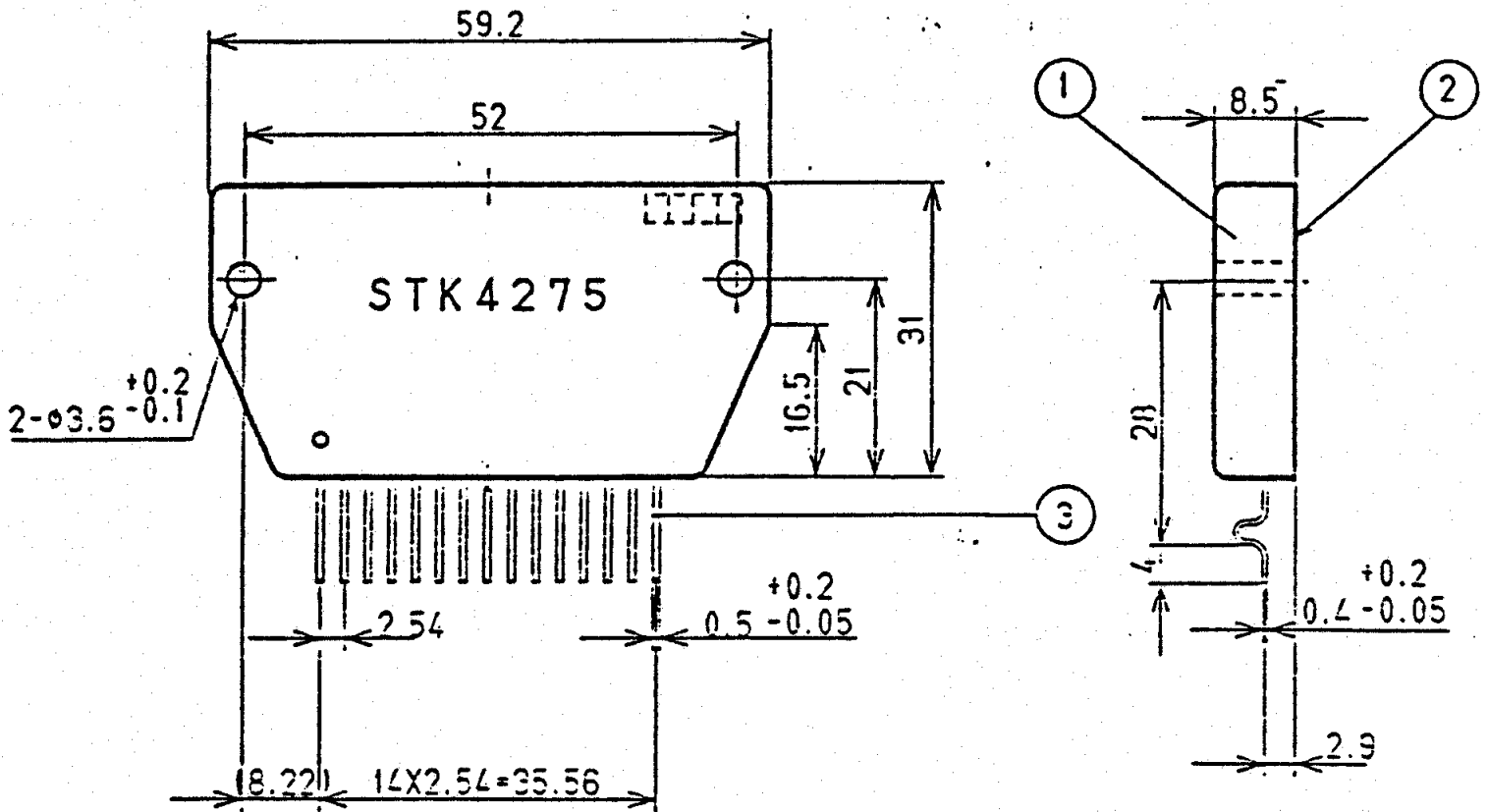
RL1~3 : 47 $\Omega$

Test Circuit (2) (STK4275)



# STK4275

Case Outline (unit: mm)



The application circuit diagrams and circuit constants herein are included as an example and provide no guarantee for designing equipment to be mass-produced.

The information herein is believed to be accurate and reliable. However, no responsibility is assumed by SANYO for its use; nor for any infringements of patents or other rights of third parties which may result from its use.