

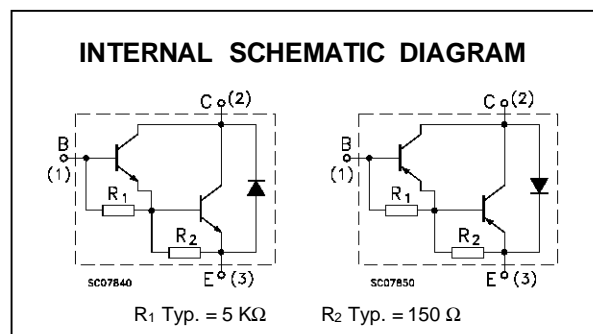
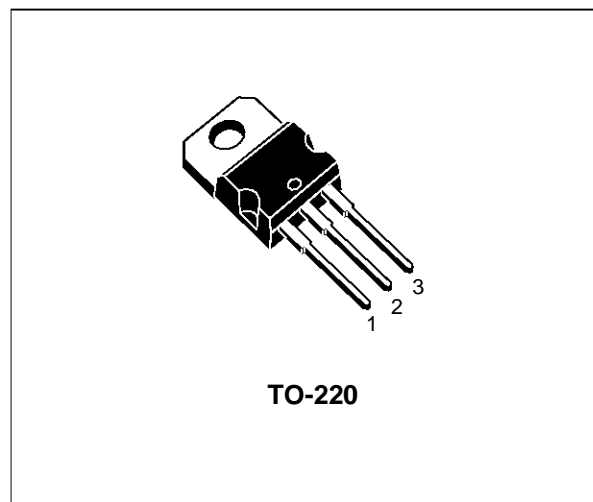
COMPLEMENTARY SILICON POWER DARLINGTON TRANSISTORS

■ SGS-THOMSON PREFERRED SALESTYPES

DESCRIPTION

The TIP120, TIP121 and TIP122 are silicon epitaxial-base NPN power transistors in monolithic Darlington configuration Jedec TO-220 plastic package, intended for use in power linear and switching applications.

The complementary PNP types are TIP125, TIP126 and TIP127.



ABSOLUTE MAXIMUM RATINGS

| Symbol | Parameter | Value | | | | Unit |
|------------------|--|-------|--------|------------|--------|------|
| | | NPN | TIP120 | TIP121 | TIP122 | |
| | | PNP | TIP125 | TIP126 | TIP127 | |
| V _{CB0} | Collector-Base Voltage (I _E = 0) | | 60 | 80 | 100 | V |
| V _{CE0} | Collector-Emitter Voltage (I _B = 0) | | 60 | 80 | 100 | V |
| V _{EB0} | Emitter-Base Voltage (I _C = 0) | | | 5 | | V |
| I _C | Collector Current | | | 5 | | A |
| I _{CM} | Collector Peak Current | | | 8 | | A |
| I _B | Base Current | | | 0.1 | | A |
| P _{tot} | Total Dissipation at T _{case} ≤ 25 °C T _{amb} ≤ 25 °C | | | 65 | | W |
| | | | | 2 | | W |
| T _{stg} | Storage Temperature | | | -65 to 150 | | °C |
| T _j | Max. Operating Junction Temperature | | | 150 | | °C |

* For PNP types voltage and current values are negative.

TIP120/TIP121/TIP122/TIP125/TIP126/TIP127

THERMAL DATA

| | | | | |
|----------------|-------------------------------------|-----|------|---------------|
| $R_{thj-case}$ | Thermal Resistance Junction-case | Max | 1.92 | $^{\circ}C/W$ |
| $R_{thj-amb}$ | Thermal Resistance Junction-ambient | Max | 62.5 | $^{\circ}C/W$ |

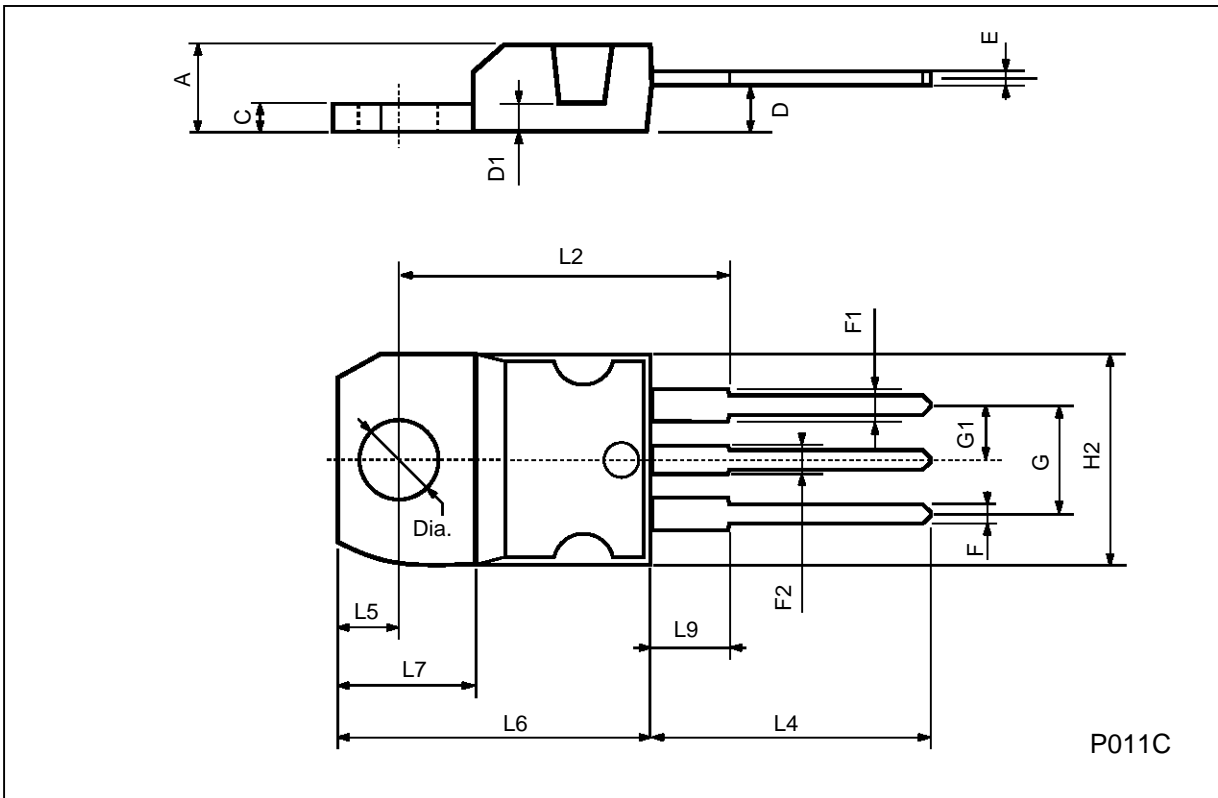
ELECTRICAL CHARACTERISTICS ($T_{case} = 25^{\circ}C$ unless otherwise specified)

| Symbol | Parameter | Test Conditions | Min. | Typ. | Max. | Unit |
|------------------|--|--|-----------------|------|-------------------|----------------|
| I_{CEO} | Collector Cut-off Current ($I_B = 0$) | for TIP120/125 $V_{CE} = 30 V$ for TIP121/126 $V_{CE} = 40 V$ for TIP122/127 $V_{CE} = 50 V$ | | | 0.5 0.5 0.5 | mA mA mA |
| I_{CBO} | Collector Cut-off Current ($I_B = 0$) | for TIP120/125 $V_{CE} = 60 V$ for TIP121/126 $V_{CE} = 80 V$ for TIP122/127 $V_{CE} = 100 V$ | | | 0.2 0.2 0.2 | mA mA mA |
| I_{EBO} | Emitter Cut-off Current ($I_C = 0$) | $V_{EB} = 5 V$ | | | 2 | mA |
| $V_{CEO(sus)}^*$ | Collector-Emitter Sustaining Voltage ($I_B = 0$) | $I_C = 30 mA$ for TIP120/125 for TIP121/126 for TIP122/127 | 60 80 100 | | | V V V |
| $V_{CE(sat)}^*$ | Collector-Emitter Saturation Voltage | $I_C = 3 A$ $I_B = 12 mA$ $I_C = 5 A$ $I_B = 20 mA$ | | | 2 4 | V V |
| $V_{BE(on)}^*$ | Base-Emitter Voltage | $I_C = 3 A$ $V_{CE} = 3 V$ | | | 2.5 | V |
| h_{FE}^* | DC Current Gain | $I_C = 0.5 A$ $V_{CE} = 3 V$ $I_C = 3 A$ $V_{CE} = 3 V$ | 1000 1000 | | | |

* For PNP types voltage and current values are negative.

TO-220 MECHANICAL DATA

| DIM. | mm | | | inch | | |
|------|-------|------|-------|-------|-------|-------|
| | MIN. | TYP. | MAX. | MIN. | TYP. | MAX. |
| A | 4.40 | | 4.60 | 0.173 | | 0.181 |
| C | 1.23 | | 1.32 | 0.048 | | 0.051 |
| D | 2.40 | | 2.72 | 0.094 | | 0.107 |
| D1 | | 1.27 | | | 0.050 | |
| E | 0.49 | | 0.70 | 0.019 | | 0.027 |
| F | 0.61 | | 0.88 | 0.024 | | 0.034 |
| F1 | 1.14 | | 1.70 | 0.044 | | 0.067 |
| F2 | 1.14 | | 1.70 | 0.044 | | 0.067 |
| G | 4.95 | | 5.15 | 0.194 | | 0.203 |
| G1 | 2.4 | | 2.7 | 0.094 | | 0.106 |
| H2 | 10.0 | | 10.40 | 0.393 | | 0.409 |
| L2 | | 16.4 | | | 0.645 | |
| L4 | 13.0 | | 14.0 | 0.511 | | 0.551 |
| L5 | 2.65 | | 2.95 | 0.104 | | 0.116 |
| L6 | 15.25 | | 15.75 | 0.600 | | 0.620 |
| L7 | 6.2 | | 6.6 | 0.244 | | 0.260 |
| L9 | 3.5 | | 3.93 | 0.137 | | 0.154 |
| DIA. | 3.75 | | 3.85 | 0.147 | | 0.151 |



Information furnished is believed to be accurate and reliable. However, SGS-THOMSON Microelectronics assumes no responsibility for the consequences of use of such information nor for any infringement of patents or other rights of third parties which may result from its use. No license is granted by implication or otherwise under any patent or patent rights of SGS-THOMSON Microelectronics. Specifications mentioned in this publication are subject to change without notice. This publication supersedes and replaces all information previously supplied. SGS-THOMSON Microelectronics products are not authorized for use as critical components in life support devices or systems without express written approval of SGS-THOMSON Microelectronics.

© 1995 SGS-THOMSON Microelectronics - All Rights Reserved

SGS-THOMSON Microelectronics GROUP OF COMPANIES

Australia - Brazil - France - Germany - Hong Kong - Italy - Japan - Korea - Malaysia - Malta - Morocco - The Netherlands - Singapore - Spain - Sweden - Switzerland - Taiwan - Thailand - United Kingdom - U.S.A